

Specifications

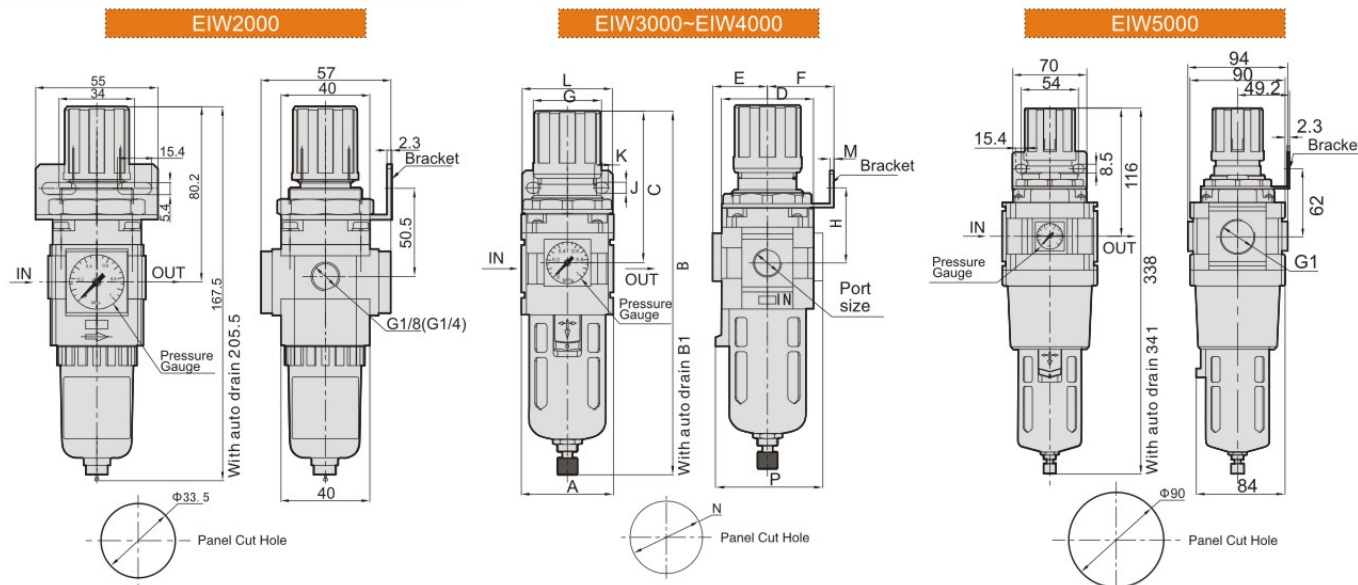
Model	EIW2000	EIW3000	EIW4000	EIW5000
Guaranteed. pressure resistance(Bar)	15			
Max. working pressure(Bar)	10			
Working temperature(°C)	5 - 60			
Filter precision	25 μm(5 μm is optional)			
Bowl material	Polycarbonate			
Bowl guard	None	Available		
Pressure adjusting range(Bar)	0.5 - 8.5			
Valve type	With overflow			

Model	Specifications		Drain function	Auto drain model
	• Rated flow (L/min)	• Port size(G)		
EIW2000-01	1078	1/8	Manual drain	EIW2000-01D
EIW2000-02	1165	1/4		EIW2000-02D
EIW3000-02	1998	1/4	a. Zero pressure drain b. Manual drain	EIW3000-02D
EIW3000-03	2177	3/8		EIW3000-03D
EIW4000-03	5108	3/8		EIW4000-03D
EIW4000-04	5211	1/2		EIW4000-04D
EIW5000-06	6200	3/4		EIW5000-06D
EIW5000-10	6400	1		EIW5000-10D

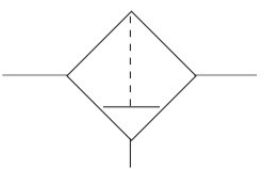
* The above information is based on 8.0 Bar supply pressure and 6.3 Bar set pressure

* NPT,PT port size is optional

Main Dimensions (mm)



Model	Port Size (G)	A	B	B1	C	D	E	F	G	H	J	K	L	M	N	P
EIW3000	1/4"-3/8"	54	211	224.5	92.5	54	32	39	40	45	6.5	8	53	2.3	42.5	63
EIW4000	3/8"-1/2"	70	262	265	112	70	42	49.2	54	53.5	8.5	10.5	70	2.3	52.5	74



Specifications

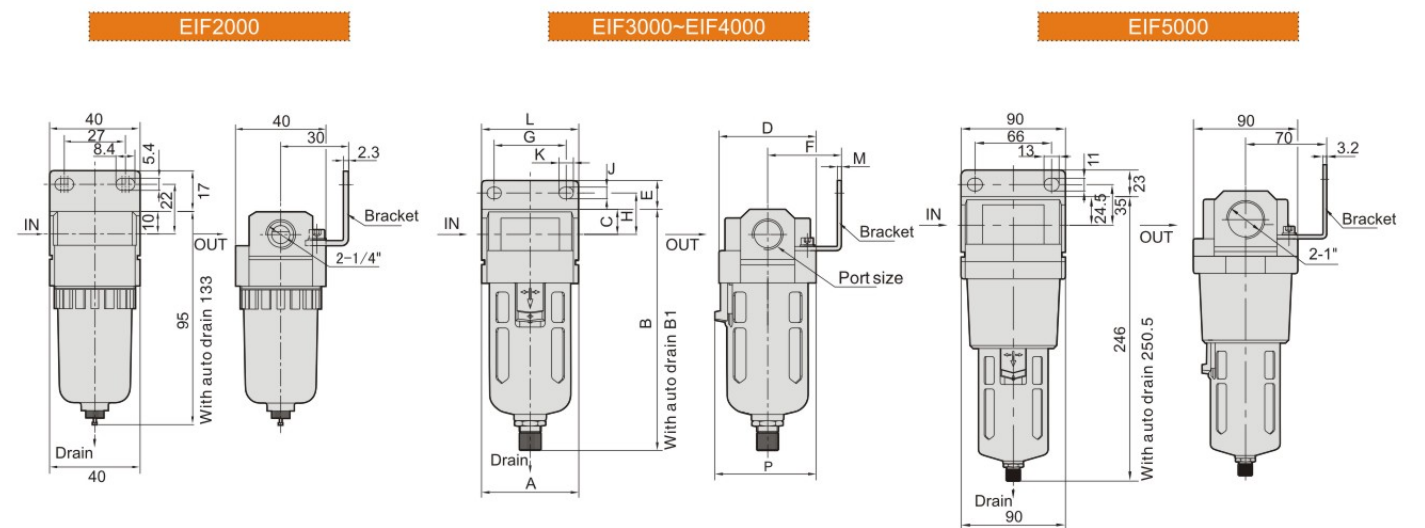
Model	EIF2000	EIF3000	EIF4000	EIF5000
Guaranteed. pressure resistance(Bar)	15			
Max. working pressure(Bar)	10			
Working temperature(°C)	5 - 60			
Filter precision	25 μm(5 μm is optional)			
Bowl material	Polycarbonate			
Bowl guard	None	Available		
Entrance pressure(Bar)	1.5-10			

Model	Specifications			Drain function	Auto drain model
	• Rated flow (L/min)	• Port size (G)	Bowl capacity (cm³)		
EIF2000-01	1222	1/8	15	Manual drain	EIF2000-01D
EIF2000-02	1278	1/4			EIF2000-02D
EIF3000-02	2006	1/4	20	a.Zero pressure drain b.Manual drain	EIF3000-02D
EIF3000-03	2148	3/8			EIF3000-03D
EIF4000-03	5120	3/8			EIF4000-03D
EIF4000-04	5430	1/2	45		EIF4000-04D
EIF5000-06	8200	3/4			EIF5000-06D
EIF5000-10	8500	1	130		EIF5000-10D

* The above information is based on 6.3 Bar supply pressure and 1.0 Bar set pressure

* NPT,PT port size is optional

Main Dimensions (mm)



Model	Port Size (G)	A	B	B1	C	D	E	F	G	H	J	K	L	M	P
EIF3000	1/4"-3/8"	53	132.5	146	14	54	16	41	40	23	6.5	8	53	2.3	56
EIF4000	3/8"-1/2"	70	168.5	171.5	18	70	17	50	54	26	8.5	10.5	70	2.3	73