

Air Distribution Manifolds

AH34 Series



10-Station 316L Air Manifold - Direct Mounting - Left Aligned - Lockable - PED Approved.

Applications

- Instrument Air distribution
- Signal Air Isolation
- Signal Air lock-out

Technical Specifications

| | |
|------------------------------------|------------------------|
| Manifold Body: | 316L-TP ASTM A312/ASME |
| Isolation Valves: | ASTM-A351-CF8M |
| Inlet Port: | Rp 3/4" BSPT or NPT |
| Isolation Valve Ports: | Rp 1/4" BSPT or NPT |
| Drain Valve Port: | Rp 1/4" BSPT or NPT |
| Stem Packing: | PTFE |
| Valve Stem: | 316 Stainless Steel |
| Valve Sleeve: | Red Vinyl Plastic |
| End Fittings: | 316L-TP ASTM A 276-10 |
| Isolation Valves Certified: | PED 97/23/EC |
| Manifold Cert Compliance: | PED 97/23/EC |

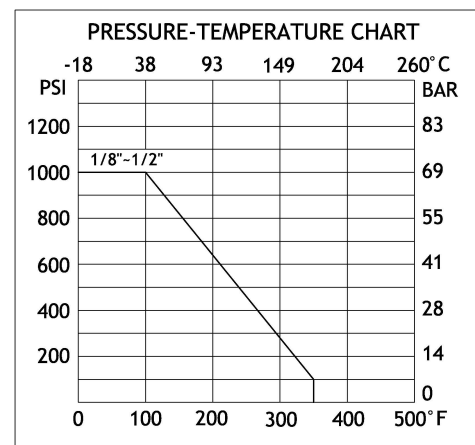
| | |
|-------------------------------|-----------------|
| Operating Temperature: | -20 to +150°C |
| Working Pressure: | 150 psi (10bar) |
| Factory Test Pressure: | 215 psi (15bar) |
| Valve Pressure Rating: | See Graph |

| | |
|--------------------------------|-----------------|
| O.A.L. c/w Drain Valve: | 688mm |
| O.A.L. w/o Drain Valve: | 650mm |
| Isolation v/v Spacing: | 50 mm |
| Surface Finish: | Standard Polish |



Order Code Standard

| Description | Part Number |
|-------------------------|-------------------|
| 10-Stn 316 Air Manifold | AH34RP10SL-14RCSL |
| Left Aligned. | |
| Lockable. | |



10-Station 316L Air Manifold - Direct Mounting - Right Aligned - Lockable - PED Approved

Product Features

Traceability: Each RCC Manifold carries a unique identifying code. This code provides a method for tracing materials and is an important part of quality assurance and control.

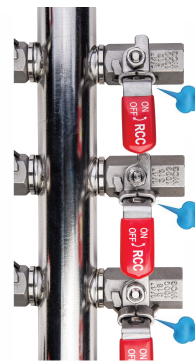
Output Connections: Rp 1/4", 316 Compression, Quick Fit.

Lockable: All RCC Manifold **LOTO** compliant.

Special products can be supplied to order. Quantities required will affect unit price and initial leadtime may be extended.

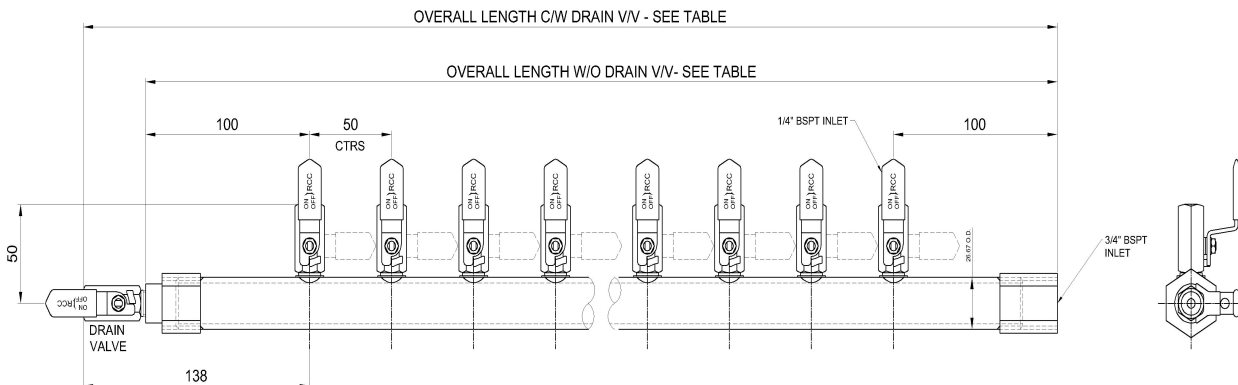
Order Code Venting

| Description | Part Number |
|-------------------------|-------------------|
| 10-Stn 316 Air Manifold | AH34RP10SL-14RVSL |
| Single Left Aligned | |
| Lockable + Venting | |



| NO. OF OUTLETS SINGLE SIDE | OVERALL LENGTH IN mm W/O DRAIN V/V | OVERALL LENGTH IN mm C/W DRAIN V/V |
|----------------------------|------------------------------------|------------------------------------|
| 2 | 250.0 | 288.0 |
| 3 | 300.0 | 338.0 |
| 4 | 350.0 | 388.0 |
| 5 | 400.0 | 438.0 |
| 6 | 450.0 | 488.0 |
| 7 | 500.0 | 538.0 |
| 8 | 550.0 | 588.0 |
| 9 | 600.0 | 638.0 |
| 10 | 650.0 | 688.0 |
| 11 | 700.0 | 738.0 |
| 12 | 750.0 | 788.0 |
| 13 | 800.0 | 838.0 |
| 14 | 850.0 | 888.0 |
| 15 | 900.0 | 938.0 |

NOTES:
 MAX WORKING TEMPERATURE PTFE PACKING = 200°C
 TESTED COLD WORKING PRESSURE = 15BAR
 ALL VALVES LOCKABLE



Design and materials may change without notice



RCC IRL LTD
LEE VIEW PLACE,
MONKSTOWN,
CO. CORK
IRELAND
sales@rccirl.ie
00 353 21 4841562