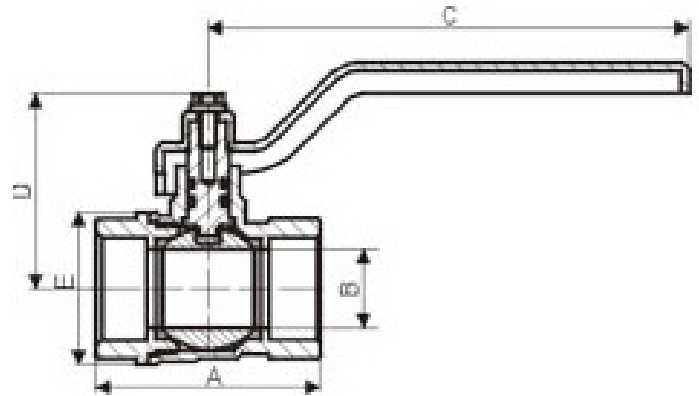
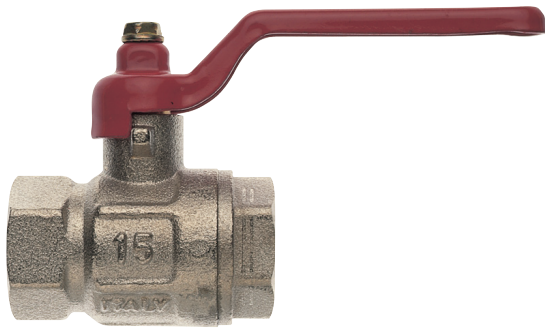


# Ball Valve

Forged brass ball valve, red steel flat handle; FxF  
 ISO228 thread  
 1/4", 3/8" - PN40  
 1/2" - 2" - PN25  
 Size: 1/4"-2"



## Technical Features:

Suitable for domestic water services, heating and air-conditioning plants, compressed air systems.  
 Minimum and maximum working temperature: -15°C, 120°C.  
 Available in all sizes from 1/4" up to 2"

## Materials:

Valve Body: Brass  
 Handle: Steel  
 Ball: Hard Chrome-plated brass  
 Seal: PTFE  
 Stem: Brass  
 O-Ring: NBR

	BV90-14	BV90-38	BV90-12	BV90-34	BV90-1	BV90-114	BV90-112	BV90-2
Size(mm)	1/4"	3/8"	1/2"	3/4"	1"	1-1/4"	1-1/2"	2"
A	43.9	43.9	48	53	65.8	78	91	113
B	10	10	14	18.5	23	30	38	50
C	80	80	80	113.5	113.5	117	117	135
D	37	37	39	53.5	57.5	57.5	62	79
E	24	24.3	29	36	43	56	68	85