



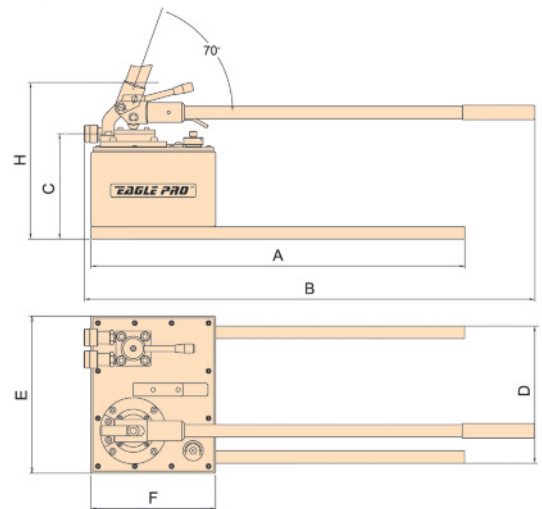
EPA- 14521

EPA-17522

EPA-SERIES HAND PUMPS

► Features

- ◆ High strength alloy steel, engineered for use in extreme environment.
- ◆ User friendly design.
- ◆ Built in safety valve.



Used With Cylinder	Model	Speed	Usable Oil Volume	Pressure rating		Oil output per stroke		Handle Force	Output Oil Thread	Weight
				1 st stage	2 nd stage	1 st stage	2 nd stage			
				in ³	psi	psi	in ³			
Single Acting	EPA-14521	Double	275	260	10,000	1.59	0.18	112	3/8-18NPT	49.5
	EPA-17521	Double	458	260	10,000	7.6	0.35	112	3/8-18NPT	66
Double Acting	EPA-14522	Double	275	260	10,000	1.59	0.18	112	3/8-18NPT	49.5
	EPA-17522	Double	458	260	10,000	7.6	0.35	112	3/8-18NPT	66

Model	A	B	C	D	E	F	H
	in	in	in	in	in	in	in
EPA-14521	22.8	23.9	6.4	10.8	12.4	9.8	10.5
EPA-14522	22.8	23.9	6.4	10.8	12.4	9.8	10.5
EPA-17521	31.5	35.6	8.3	10.8	12.4	9.8	12.4
EPA-17522	31.5	35.6	8.3	10.8	12.4	9.8	12.4

Hydraulic Pump & Cylinder Sets

HYDRAULIC HAND PUMP SELECTION CHART

Model	Stage	Flow (in ³)	CAPACITY (tons)															
			5	10	15	25	30	50	75	100	150	200	250	300	400	500		
			REQUIRED STROKES FOR CYLINDER TO LIFT 1 INCH															
EPA-10521	1ST STAGE	0.22	5	10	15													
	2ND STAGE	0.05	19	42	58													
EPA-10921A	1ST STAGE	2.038	1	2	2	3												
	2ND STAGE	0.201	6	12	16	26												
EPA-10922A	1ST STAGE	2.038	1	2	2	3												
	2ND STAGE	0.201	6	12	16	26												
EPA-11621	1ST STAGE	1.93	1	1	2	3	3	6										
	2ND STAGE	0.22	6	12	16	24	34	51										
EPA-12321A	1ST STAGE	2.038	1	2	2	3	4	6	8									
	2ND STAGE	0.201	6	12	16	26	31	55	81									
EPA-12322A	1ST STAGE	2.038	1	2	2	3	3	6	8									
	2ND STAGE	0.201	6	12	16	26	34	55	81									
EPA-14521	1ST STAGE	1.59	1	1	2	3	4	8	10	13	19	26						
	2ND STAGE	0.18	6	13	18	29	38	69	90	114	174	229						
EPA-14522	1ST STAGE	1.59	1	1	2	3	4	8	10	13	19	26						
	2ND STAGE	0.18	6	13	18	29	38	69	90	114	174	229						
EPA-17521	1ST STAGE	7.63	1	1	1	1	1	2	2	3	4	5	7					
	2ND STAGE	0.35	3	7	9	15	19	35	45	58	88	116	158					
EPA-17522	1ST STAGE	7.63	1	1	1	1	1	2	2	3	4	5	7					
	2ND STAGE	0.35	3	7	9	15	19	35	45	58	88	116	158					

AIR/HYDRAULIC HAND PUMP SELECTION CHART

Model	Single Stage	Flow (in ³)	CAPACITY (tons)															
			5	10	15	25	30	50	75	100	150	200	250	300	400	500		
			REQUIRED TIME (seconds) FOR CYLINDER TO LIFT 1 INCH															
EPC-001	Low Pressure	0.81	1.30	2.90	3.90	6.40	8.30	15.00	19.50	25.60								
	High Pressure	0.12	8.70	19.00	26.30	42.50	55.00	100.00	130.00	166.00								
EPC-002	Low Pressure	0.81	1.30	2.90	3.90	6.40	8.30	15.00	19.50									
	High Pressure	0.12	8.70	19.00	26.30	42.50	55.00	100.00	130.00									
EPC-003	Low Pressure	0.81	1.30	2.90	3.90	6.40	8.30	15.00	19.50	25.60								
	High Pressure	0.12	8.70	19.00	26.30	42.50	55.00	100.00	130.00	166.00								
EPC-004	Low Pressure	0.81	1.30	2.90	3.90	6.40	8.30	15.00	19.50	25.60	38.00							
	High Pressure	0.12	8.70	19.00	26.30	42.50	55.00	100.00	130.00	166.00	252.50							
EPC-008	Low Pressure	0.81	1.30	2.90	3.90	6.40	8.30	15.00	19.50									
	High Pressure	0.12	8.70	19.00	26.30	42.50	55.00	100.00	130.00									
EPC-009	Low Pressure	0.81	1.30	2.90	3.90	6.40	8.30	15.00	19.50	25.60	38.00							
	High Pressure	0.12	8.70	19.00	26.30	42.50	55.00	100.00	130.00	166.00	252.50							
EPC-010	Low Pressure	0.81	1.30	2.90	3.90	6.40	8.30	15.00	19.50									
	High Pressure	0.12	8.70	19.00	26.30	42.50	55.00	100.00	130.00									

HYDRAULIC ELECTIC PUMP SELECTION CHART

Model	Stage	Flow (in ³ /s)	CAPACITY (tons)															
			5	10	15	25	30	50	75	100	150	200	250	300	400	500		
			REQUIRED TIME (seconds) FOR CYLINDER TO LIFT 1 INCH															
EPB-3B+	1st Stage	4.00	0.3	0.6	0.8	1.3	1.7	2.8	4.0	5.1								
	2nd Stage	0.33	3.3	6.8	9.9	15.6	20.7	33.3	48.8	62.1								
EPB-6B+	1st Stage	10.17	0.1	0.2	0.3	0.5	0.7	1.1	1.6	2.0	3.0	4.1						
	2nd Stage	0.65	1.7	3.5	5.0	7.9	10.5	16.9	24.8	31.5	47.5	63.4						
EPB-10B+	1st Stage	10.17	0.1	0.2	0.3	0.5	0.7	1.1	1.6	2.0	3.0	4.1	7.0					
	2nd Stage	1.00	1.1	2.3	3.3	5.2	6.8	11.0	16.1	20.5	30.9	41.2	70.7					
EPB-20B+	1st Stage	10.17	0.1	0.2	0.3	0.5	0.7	1.1	1.6	2.0	3.0	4.1	7.0	7.0	8.7			
	2nd Stage	2.00	0.6	1.1	1.6	2.6	3.4	5.5	8.1	10.3	15.4	20.6	35.4	35.4	44.3	56.6		

 Recommended application
 Selective use
 Not recommended