

CONAR

SWHR-15-38SB122K

Used For	Jet Wash Hose
Hose Material	1 Wire Rubber
Hose Working Length	15mtrs
Hose Internal Bore	3/8"
Inlet	3/8" BSP Female
Outlet	M22x1.5 Female
Maxium Working Pressure	150 Bar (2175 psi)

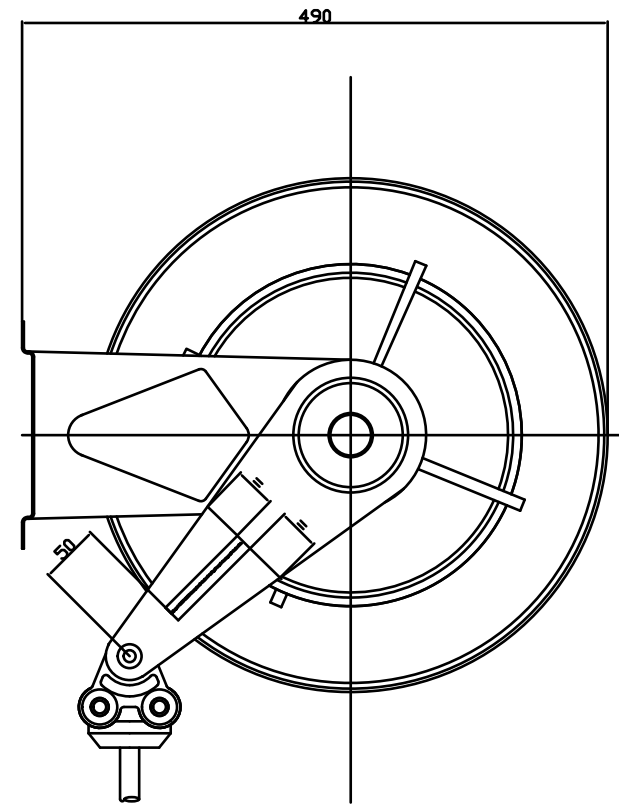
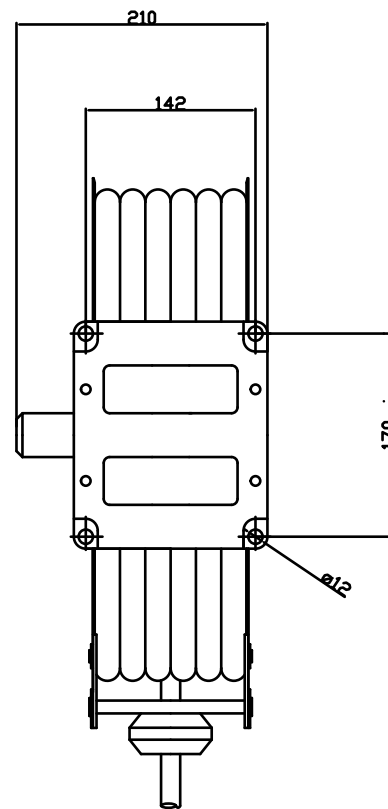
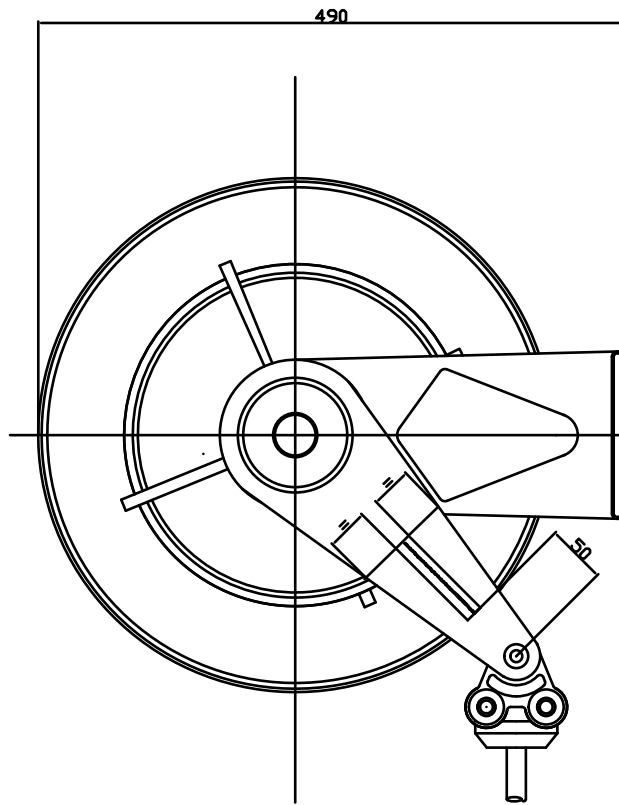


Features

- Heavy duty steel construction
- Corrosion resistant powder coating
- Robust reinforced base construction
- Four direction non snag rollers
- Multi position ratchet lock
- Spring fully enclosed and lubricated
- Full flow swivel prevents leakage
- 9 position guide arm adjustment

Benefits

- Long lasting
- Used in most enviroments
- Stable support
- Reduces hose wear
- Easy tension adjustment
- Low maintenance
- Vesatile usage
- Permits wall, ceiling or floor mount



UNLESS OTHERWISE STATED		NAME	DATE	TITLE
DIMENSIONS IN MM	DRAWN	DB	27032013	CONAH HOSE REEL
TOLERANCES	CHECKED			
FRACTIONAL +/- 0.10	ENG APP			SIZE
2 DECIMAL PLACE +/- 0.1	MFG APP			A SWHR-15-38
MATERIAL		QA		COMMENTS
				SCALE 1:1 WEIGHT
				SHEET 1 OF 1