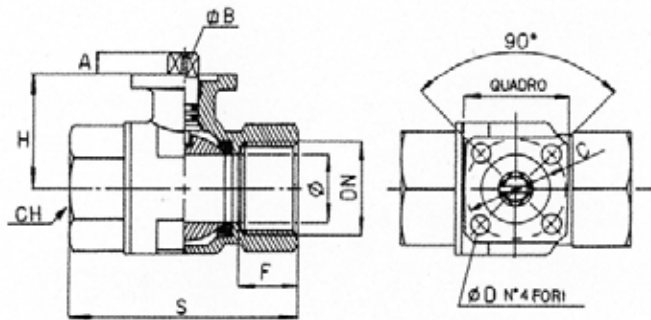


Ball Valve - ISO 5211 Direct Mount - 1/2" to 2"



Screwed BSP Female
Full Bore
ISO 5211 Direct Mount



Dimensions					
DN	Ø	ØD	∩	∩B	A
1/2"	15	5.5	38	9	7.00
3/4"	20	5.5	38	9	8.00
1"	25	5.5	38	9	8.00
1 1/4"	32	5.5	38	9	8.00
1 1/2"	40	6.5	50	14	14.5
2"	50	6.5	50	14	14.5

Dimensions								
DN	C	F	H	S	ISO 5211	CH	PN	Kg
1/2"	36	17	31	59	M1(F03)	27	40	0.29
3/4"	36	18	37	69	M1(F03)	33	40	0.43
1"	36	22	41	83	M1(F03)	41	40	0.69
1 1/4"	36	24	46.5	94	M1(F03)	50	40	1.02
1 1/2"	50	24	58	102	M4(F05)	56	40	1.35
2"	50	28	65.5	124	M4(F05)	70	40	2.15

Torque		
Size	Starting Torque (Nm)	Working Torque (Nm)
1/2"	4.20	0.50
3/4"	4.80	0.80
1"	5.50	1.20
1 1/4"	11.5	2.50
1 1/2"	18.0	4.00
2"	22.0	5.00

Flow Rates						
	1/2"	3/4"	1"	1 1/4"	1 1/2"	2"
KV	16.3	29.5	43	89	230	265

Pressure/Temperature Ratings

Max Pressure	1/2" - 2" 40 Bar
Temperature	-20°C to 95°C

Material List

Body	Brass
Ball	Brass
Seats	PTFE
Stem	Brass
O-Ring	NBR