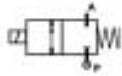


2/2 WAY DIRECT ACTING SOLENOID VALVE, G 1/8" - G 1/4"



normally closed

TYPE: D262/263

TECHNICAL SPECIFICATIONS

Media: water, oil, air
Media temperature: -10°C ÷ +130°C
Ambient temperature: -10°C ÷ +50°C
Body material: brass (CW617N EN 12165)
Orifice material: stainless steel (AISI 303 EN 10088-3)
Operator material: stainless steel
Seal material: FKM
Coil power: AC 18VA (holding)
AC 36VA (inrush)
DC 14W
Protection class: IP 65 (with connector)

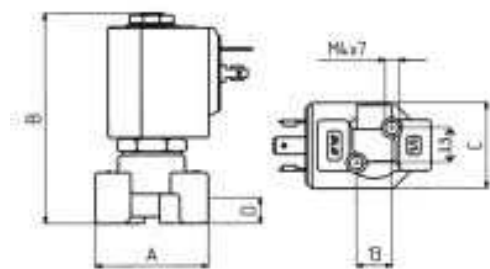


OPTIONS

Normally open (Ex. code RD263DVG) with coils class "H" only
Manual override (Ex. code D262DVHM)
EPDM seal for air and hot water MAX 120°C (Ex. code D262DEH)
RUBY seal -10°C +180°C for high temperature with class "H" coils (Ex. code D262DRC 7201)

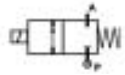
SELECTION TABLE	VALVE	G connection	Nominal Diameter	Flow rate kvs	OPD			COILS	
	Code	[ISO 228]	[mm]	[l/min]	min	max		Code	[Volts/Hz]
					[bar]	AC [bar]	DC [bar]		
	D262DVA	1/8"	1.0	0.5	0	30	30	7250	24V DC
	D262DVC	1/8"	1.5	1.3	0	24	24	7200	24V 50/60Hz
	D262DVG	1/8"	2.5	3.4	0	18	16	7400	110V 50Hz - 120V 60Hz
	D262DVH	1/8"	3.0	4.5	0	15	8	7600	200V 50Hz - 220V 60Hz
	D263DVC	1/4"	1.5	1.3	0	24	24	7700	230V 50Hz - 240V 60Hz
	D263DVG	1/4"	2.5	3.4	0	18	16		
	D263DVH	1/4"	3.0	4.5	0	15	8		
	D263DVL*	1/4"	4.0	6.0	0	8	5		
	D263DVN*	1/4"	5.0	7.5	0	5	2.5		
	D263DVP*	1/4"	6.0	8.5	0	3	1		

* NO version not available



DIMENSIONS & WEIGHTS	G connection	A	B	C	D	weight
	[ISO 228]	[mm]	[mm]	[mm]	[mm]	[Kg]
	1/8"	40	77.5	32	11	0.26
1/4"	40	77.5	32	11	0.26	

2/2 WAY DIRECT ACTING SOLENOID VALVE, G 1/4" ÷ G 1/2"



normally closed

TYPE: D237/238/239

TECHNICAL SPECIFICATIONS

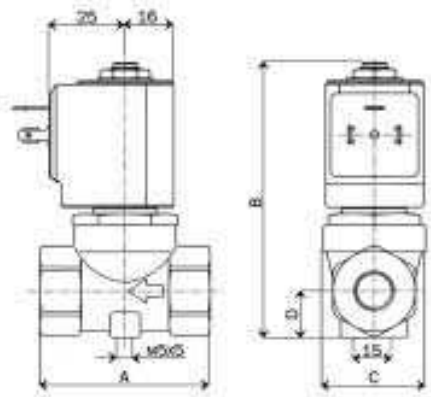
Media:	water, oil, air
Media temperature:	-10°C ÷ +130°C
Ambient temperature:	-10°C ÷ +50°C
Body material:	brass (CW617N EN 12165)
Pilot material:	stainless steel
Seal material:	FKM
Coil power:	AC 18VA (holding) AC 36VA (inrush) DC 14W
Protection class:	IP 65 (with connector)



OPTIONS

EPDM seal for air and hot water MAX 120°C (Ex. code D239DEU)
 NBR seal for air, water, oil MAX 90°C (Ex. code D237DBU)

SELECTION TABLE	VALVE	G connection	Nominal Diameter	Flow rate kvs	OPD			COILS	
					min	max	Code	[Volts/Hz]	
	Code	[ISO 228]	[mm]	[l/min]	[bar]	AC [bar]	DC [bar]		
	D237DVU	1/4"	10.5	21	0	0.4	0.2	7250	24V DC
	D238DVL	3/8"	4.0	6.0	0	8	5	7200	24V 50/60Hz
	D238DVN	3/8"	5.0	7.5	0	5	2	7400	110V 50Hz - 120V 60Hz
	D238DVP	3/8"	6.0	8.5	0	3.5	1.1	7600	200V 50Hz - 220V 60Hz
	D238DVU	3/8"	10.5	24	0	0.4	0.2	7700	230V 50Hz - 240V 60Hz
	D239DVU	1/2"	10.5	25	0	0.4	0.2		



DIMENSIONS & WEIGHTS	G connection	A	B	C	D	weight
	[ISO 228]	[mm]	[mm]	[mm]	[mm]	[Kg]
	1/4"	54	89	39	15.5	0.4
	3/8"	54	89	39	15.5	0.4
	1/2"	54	89	39	15.5	0.4