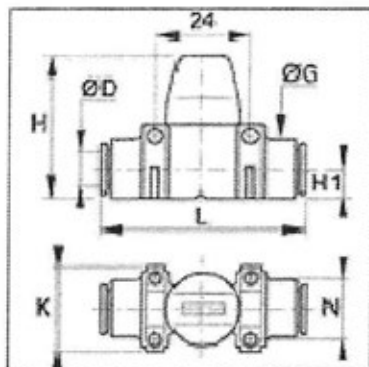


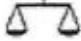
7910 - 2/2, WITH PUSH-IN CONNECTION



Opening/closing.
Compact and light weight, suitable for all types of installations thanks to the 3 types of mounting available.

Poster - Pneumatic function fittings

maximum working pressure	10 bar 1 MPa 145 psi
working temperature	-20 to 80 °C -4 to 176 °F 253 to 353 °K
body	TECHNICAL POLYMER
stem	BRASS
stem seal	NBR
'O'-rings	NBR
handle	TECHNICAL POLYMER
gripping ring	STAINLESS STEEL

Part No	ØD (INC)	ØG (mm)	H (mm)	H1 (mm)	K (mm)	L (mm)	N (mm)	 (kg)
LE-7910 04 00	5/32	15	37	7.5	22	51	16	.039
LE-7910 06 00	5/16	15	37	7.5	22	52	16	.025
LE-7910 08 00	1/4	15	37	7.5	22	52	16.2	.032
LE-7910 10 00	3/8	20	43	11	30	66	16.2	.058