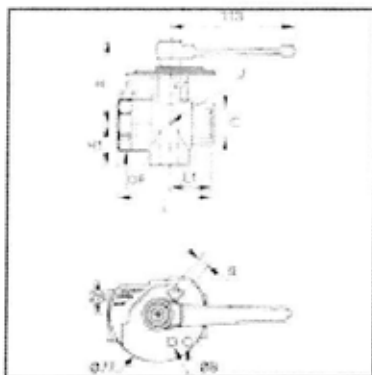


## 0438 - FEMALE 3 WAY, BSPP



Three-way ball valve for opening and closing a fluid system.

It is possible to add a padlock for securing the ball valve and thus preventing potentially dangerous, unwanted operation.

- full flow
- optimum sealing due to compensating "O" rings
- excellent resistance to scaling due to ball seal configuration

<b>maximum working pressure</b>	20 bar 2 MPa 290 psi
<b>working temperature</b>	-20 to 80 °C -4 to 176 °F 253 to 353 °K
<b>body</b>	NICKEL PLATED BRASS
<b>retaining nut</b>	NICKEL PLATED BRASS
<b>stem</b>	BRASS
<b>stem seal</b>	NBR
<b>'O'-rings</b>	NBR
<b>ball seal</b>	NBR
<b>handle</b>	ZAMAK
<b>lockable plate</b>	TREATED STEEL

Part No	C	E (mm)	F (mm)	H (mm)	H1 (mm)	J (mm)	L (mm)	L1 (mm)
LE-0438 12 21	G1/2	15	38	76	37	39	78	38