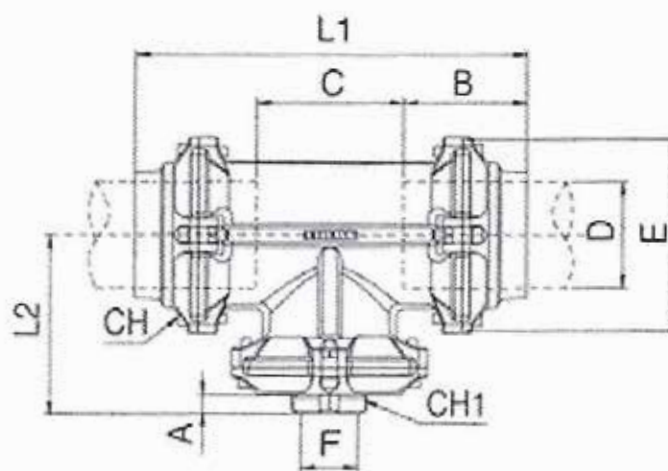


Mod. 90250-80-110

Size your plant with INFINITY AIR-PLANNER!



Code	D	F	A	B	C	E	L1	L2	CH	CH1	*
9025000002	80	3/4	14,5	91	109	145	291,5	138	6	42	* hook wrench dimensions
9025000001	110	3/4	14,5	125,5	150,5	200	401	180	8	42	* hook wrench dimensions