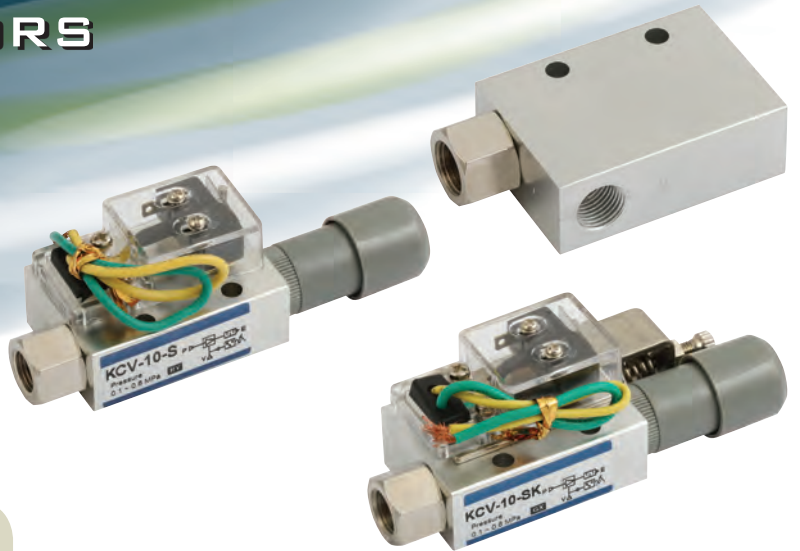


# VACUUM EJECTORS

## Specification

<b>Model</b>	CV
<b>Fluid</b>	Air
<b>Ambient and fluid temperature</b>	0-60°C (no freeze)
<b>Lubricator</b>	No
<b>Operating pressure range</b>	0.1 to 0.6MPa



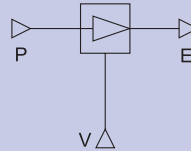
## Ordering Code

K	C	V	—	0	5	—	S
Model		Nozzle Diameter (mm)			With Switch		
KCV : Vacuum Ejector		05 : 0.50			Blank : No Switch		
		10 : 1.00			S : With Switch		
		15 : 1.50			Switch Control		
		20 : 2.00			Blank : No Control		
		25 : 2.50			SK : Adjustable		
		30 : 3.00			Vacuum Pressure*		
					R : -86.6		
					L : -48		
					Supply Pressure		
					HS :		
					HR :		
					RH :		

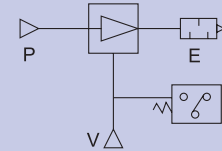
\*SK models Vacuum Pressure : 86.6kPa

## Symbols

Standard



With Switch Type



## Product Features

- 1 Long life – no moving parts, simple construction.
- 2 Several nozzle sizes available – from low to high flow.

Mechanical vacuum signal to confirm correct installation of models with switch

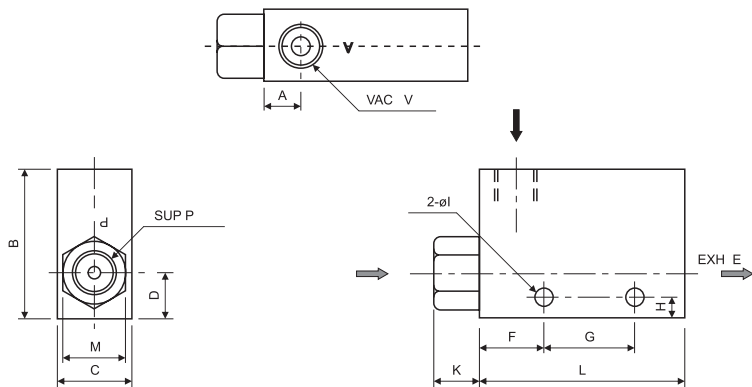
<b>Model</b>	Fixed	Adjustable
<b>Setting (kPa)</b>	-39.9	-20.0 to 53.2
<b>Initial set up (kPa)</b>	-39.9	-46.6
<b>Precision movements (kPa)</b>	+/-5.3	
<b>Should be worse (kPa)</b>	4.0 to 13.3	
<b>Electrical specification</b>	AC125V : 5A, AV250V : 3A, DC250V : 0.2A	
<b>Operating temperature range °C</b>	0 to 60	

# VACUUM EJECTORS

## Dimensions

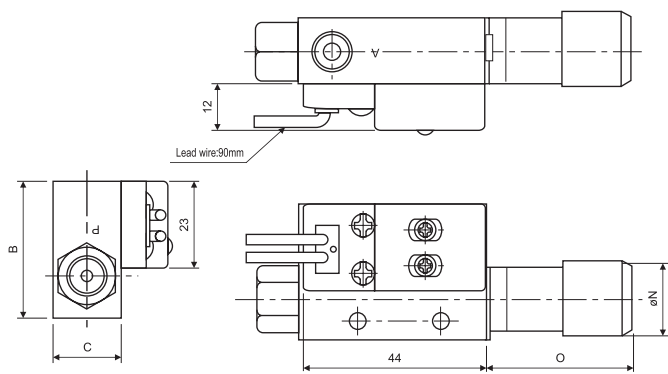
All sizes are in millimetres unless stated otherwise.

### KCV-10 Threaded without switch



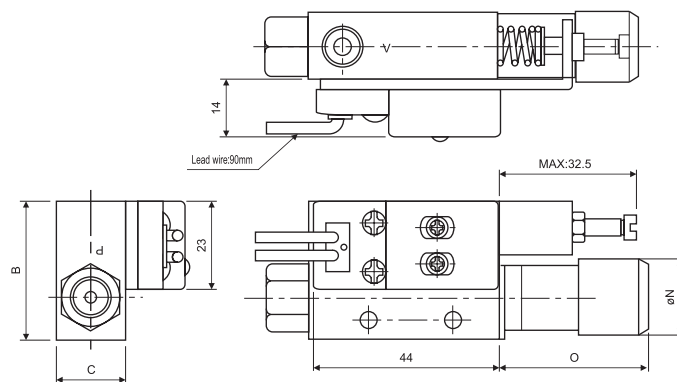
Model	A	B	C	D	E	F	G	H	I	L	K	M	P	V
KCV-05	8	32	16	10	Rp1/8	14	20	4.5	4.2	45	10	14	Rp1/8	Rp1/8
KCV-10	8	32	16	10	Rp1/8	14	20	4.5	4.2	45	10	14	Rp1/8	Rp1/8
KCV-15	10	35	20	11	Rp1/4	20	25	5	4.5	63	15	17	Rp1/4	Rp1/4
KCV-20	13	40	27	15	Rp1/2	28	32	7	6	85	20	22	Rp1/4	Rp3/8
KCV-25	16	60	40	20	Rc3/4	20	50	5.5	6	100	17	26	Rc3/8	Rc1/2
KCV-30	20	60	40	20	Rc3/4	33	50	5.5	6	118	20	30	Rc1/2	Rc3/4

### KCV-10 Threaded with switch



Model	B	C	N	O
KCV-05	32	16	16	30.2
KCV-10	32	16	16	30.2
KCV-15	35	20	20	51.5
KCV-20	40	27	30	80
KCV-25	60	40	45	86

### KCV-10 Threaded with adjustable switch



Model	B	C	N	O
KCV-05	32	16	16	30.2
KCV-10	32	16	16	30.2
KCV-15	35	20	20	51.5
KCV-20	40	30	30	80
KCV-25	60	40	45	86