




SILVENT 971

SILVENT 971: flat nozzle of stainless steel. Meets virtually every demand industry places upon a modern air nozzle. The design of the nozzle creates an air stream with a broader striking surface - clearly an advantage when wide objects must be dried, sorted or cleaned. Capable of withstanding high ambient temperatures and corrosive chemical environments, as well as satisfying the hygienic requirements of the food processing industry. Fully complies with OSHA safety regulations and EU Machine Directive noise limitations. Patented.

Noise reduction

62%

Air/cost savings

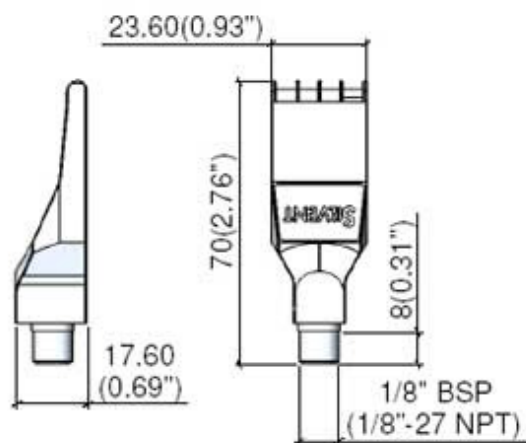
30%

SPECIFICATIONS

	SI units	US units
Blowing force	3.8 N	13.4 oz
Air consumption	21 Nm ³ /h	12.4 scfm
Sound level	81 dB(A)	
Blowing pattern	Flat	
Connection	G 1/8"	1/8" -27 NPT
Connection type	Male	
Dimensions	23.6x17x70 mm	0.93x0.67x2.76 inch
Material	Stainless steel	
Weight	0.050 kg	0.110 lbs
Max temp	400 °C	752 °F
Max operating pressure	1.0 MPa	143.0 psi

Benefits

Replace open pipe	4 mm	5/32 inch
Noise reduction [dB(A)]	14 dB(A)	62 %
Air/cost savings [Nm ³ /h]	9 Nm ³ /h	30 scfm
OSHA	Yes	
Meet the EU Machine directives	Yes	



Blowing properties at different pressures

SI units (kPa)	200	400	600	800	1000
Blowing force (N)	1.6	3.1	4.6	6.0	7.5
Air consumption (Nm ³ /h)	10.5	17.9	24.7	31.7	38.8
Sound level (dB(A))	71.7	79.3	82.7	85.4	87.4
US units (psi)	40	60	80	100	120
Blowing force (oz)	7.8	11.5	16.2	18.8	22.4
Air consumption (scfm)	7.9	10.8	13.7	16.6	19.5
Sound level (dB(A))	75.3	79.2	82.0	84.1	85.9

Air cone patterns and velocity distribution

SI units (mm)	50	100	200	300	400	500
Blowing pattern (width)	60	80	120	160	200	240
Blowing pattern (height)	30	50	90	130	170	210
Velocity (m/s)	122	100	57	40	36	33
US units (inch)	2	4	8	12	16	20
Blowing pattern (width)	2.36	3.15	4.72	6.30	7.87	9.45
Blowing pattern (height)	1.18	1.97	3.54	5.12	6.69	8.27
Velocity (ft/s)	400	328	187	131	118	108

