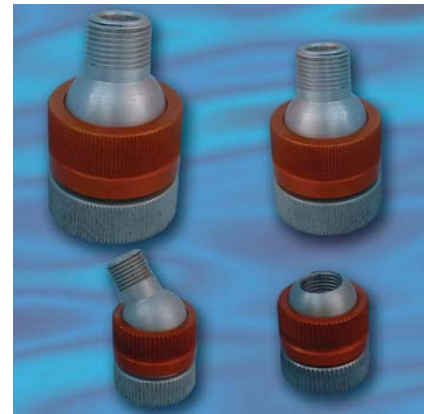
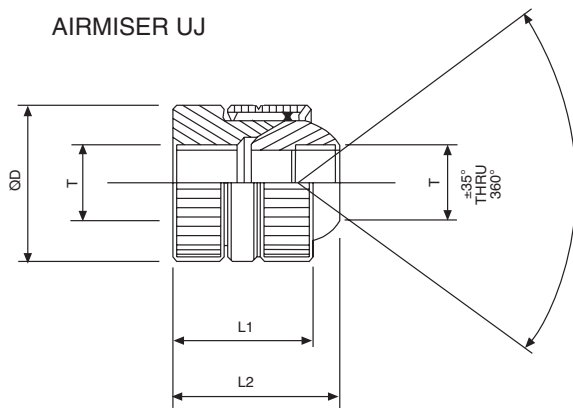
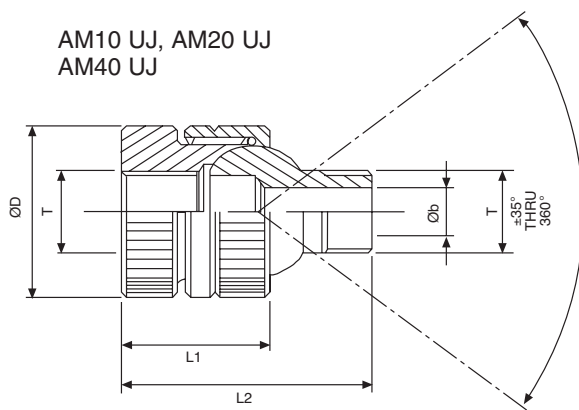




NEW

AIRMOVER UNIVERSAL CONNECTOR JOINTS

Brauer are pleased to advise details of a new range of Airmover and Airmiser Universal Joints. These new universal joints enable your customer to mount the Airmover at the exact angle required for optimum effect.



ITEM	Øb	T	ØD	L1	L2
UJ10	5	G ³ / ₈	20	19	34
UJ20	8	G ¹ / ₄	28	25	45
UJ40	10	G ³ / ₈	35	32	55
UJ2	5	G ¹ / ₄	20	19	23

Standard threads are G, for NPT threads add suffix 'N'