

Pressure

Vacuum

Level

Flow


Temperature

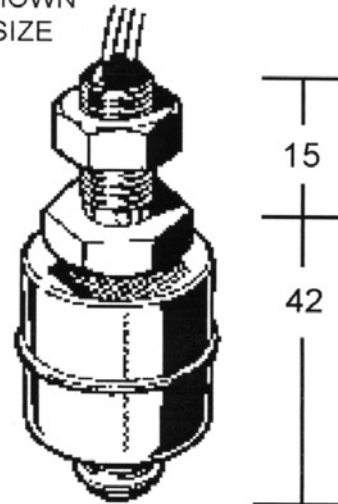
Displays

Level switch - 316 stainless steel**RFS-2-2****FEATURES**

- All 316 grade stainless steel
- Pressures up to 10 bar
- 120°C maximum temperature
- N/O or N/C contact
- 1/8" BSP Thread with nut
- 220Vac/50VA

OPTIONS

- Side entry version - DataFax 1512
- Multi-level version - DataFax 1526
-  (Explosion proof) - DataFax 1527

SWITCH SHOWN
ACTUAL SIZE**REVERSIBLE FLOAT**

To change from a N/O to a N/C contact, simply remove the circlip and reverse the float on the stem.

Quantity discounts?
phone for details

REED SWITCH PROTECTION

When a reed-switch is used on an inductive load e.g. a relay - the current surge which flows back to the reed-switch (back EMF) can cause the reed switch to fail.

Fitting a suppressor either "in-line" or "across" the relay coil can help protect the reed-switch.

**SUPPRESSORS**

- PVL 047-1 12 & 24Vdc
- PVL 047-2 110Vac
- PVL 047-3 240Vac

| | | | |
|-------------------------|------------------|------------------|---------------------|
| Maximum voltage | 240Vac | Float material | 316 stainless steel |
| Reed switch rating | 50VA | Stem material | 316 stainless steel |
| Maximum current | 0.5A (resistive) | Float dimensions | 28dia x 27mm |
| Maximum pressure & temp | 10 bar & 120°C | Float bouyancy | 0.75SG |
| Thread type & length | 1/8" BSP x 15mm | Circlip material | 316 stainless steel |

Pressure

Vacuum

Level

Flow

Temperature

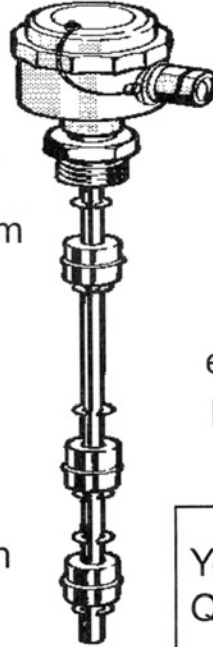
Displays

Multi-level switches

CUSTOM

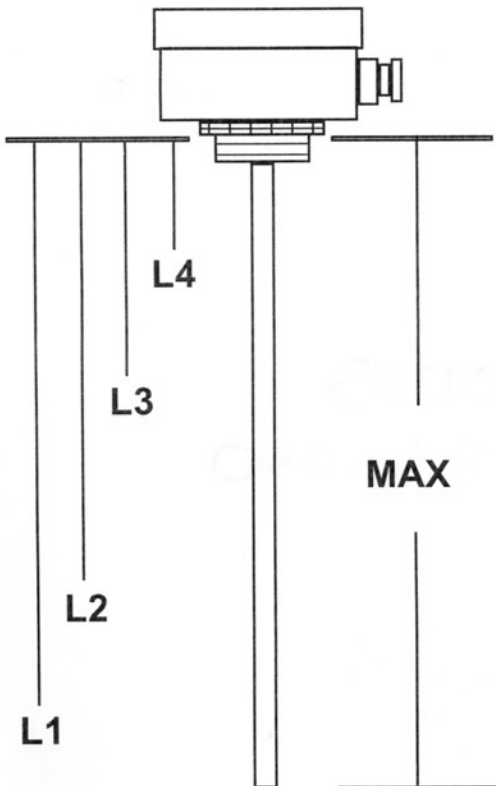
FEATURES

- Up to 4 floats per assembly
- Brass or stainless steel stem
- Nitrile, s/steel or PP float
- 1" BSP standard fitting
- Other fittings optional
- IP67 terminal head
- Optional temperature switch



To help us process your enquiry quickly & efficiently, please advise the following information...

Your Reference =
Quantity required =



Contacts rated 240Vac/0.5A (res)
10W maximum

Material - please tick the box

All stainless steel:

Brass & Nitrile:

PVC & PP:

Liquid =

SG of liquid =

Maximum liquid temperature =

Switch orientation - Please circle your choice

| | | | | |
|-------|----|---|----|------------------------------|
| L1 = | mm | Close on Rise Open on all | or | Open on Rise Close on all |
| L2 = | mm | Close on Rise Open on all | or | Open on Rise Close on all |
| L3 = | mm | Close on Rise Open on all | or | Open on Rise Close on all |
| L4 = | mm | Close on Rise Open on all | or | Open on Rise Close on all |
| Max = | mm | (We need to add 40mm to L1 to close the tube and fit a circlip) | | |