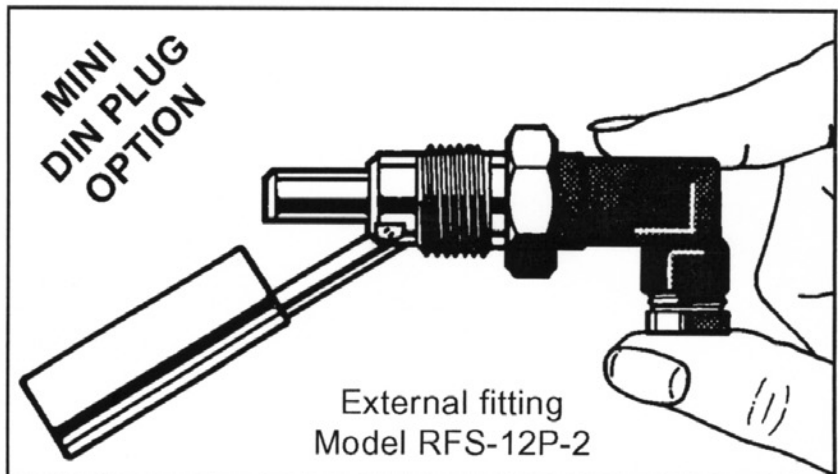
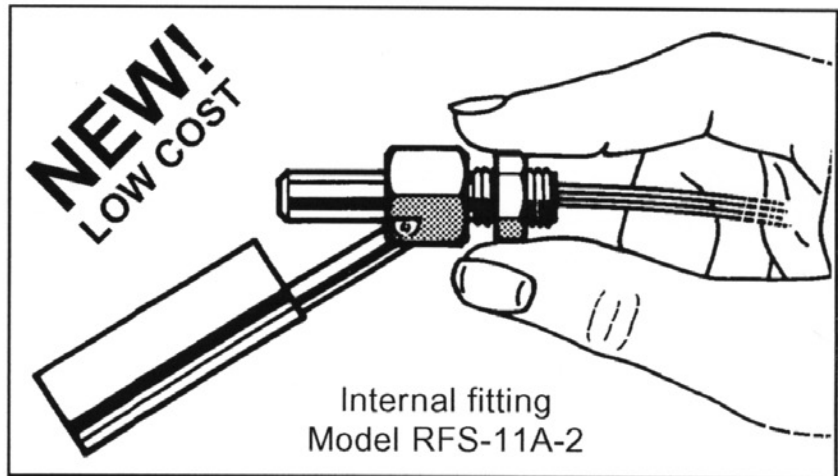


## Stainless steel level switches RFS-11A,12 & 12P

- All Stainless Steel
- High temp. 120°C
- New rugged hinge
- Optional DIN Plug
- 1/8" or 1/2" thread
- Internal or external assembly
- Compact design



• This is the lowest price, all stainless steel, side entry level switch available in the U.K! •

### REED SWITCH PROTECTION

When a reed-switch is used on an inductive load e.g. a relay - the current surge which flows back to the reed-switch (back EMF) can cause the reed switch to fail.

Fitting a suppressor either "in-line" or "across" the relay coil can help protect the reed-switch.



### SUPPRESSORS

PVL 047-1 12 & 24Vdc

PVL 047-2 110Vac

PVL 047-3 240Vac

### ORDER CODE

MODEL	FITTING	
RFS-11A-2	Internal	
RFS-12-2	External	
RFS-12P-2	External	

Pressure

Vacuum

Level

Flow

Temperature

Displays

## Stainless steel level switches RFS-11A,12 & 12P

### FITTING

The RFS-11A-2 is assembled from inside the tank or vessel after first drilling a 3/8" (10mm) clearance hole in the tank wall.

The RFS-12-2 & RFS-12P-2 have a 1/2"NPT tapered thread, which is almost indistinguishable from 1/2"BSPT.

This switch can be fitted from outside the tank by screwing it into a 10mm (max) deep, threaded boss.

Both switches can be rotated through 180° to give either Normally Open or Normally Closed contacts.

### PROTECTION

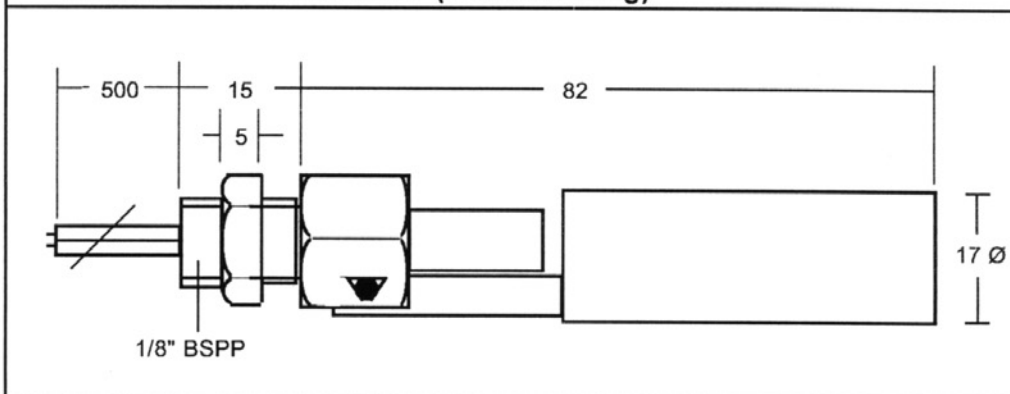
For inductive loads, such as relays etc, we strongly recommend that a PVL suppressor be used to protect the reed switch from back EMF.

See front of this DataFax.

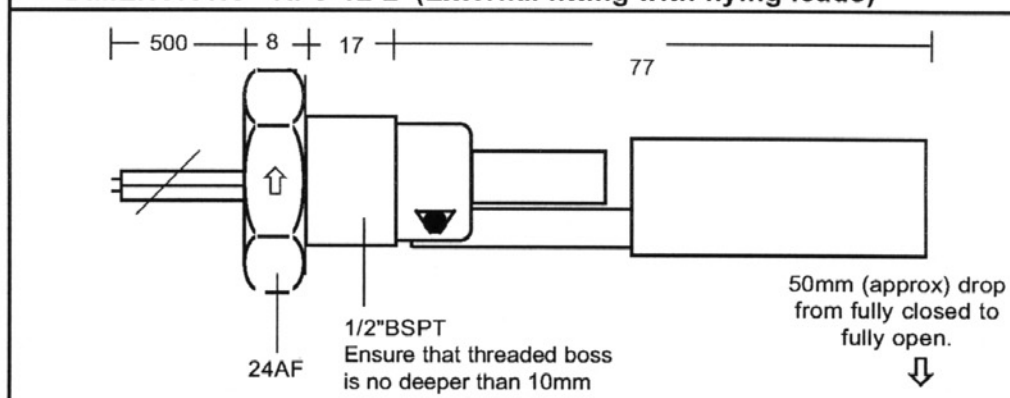
### CUSTOM DESIGNS

Please contact our sales department for further information on our '10 day' delivery, multi-level switches.

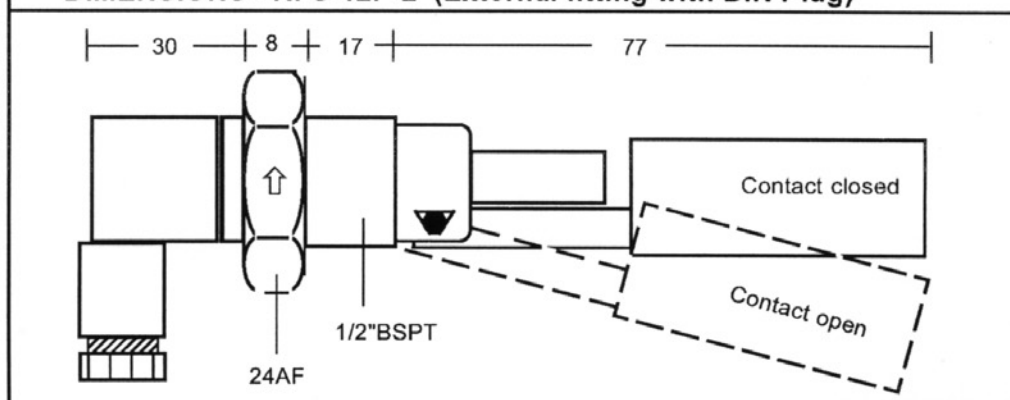
### DIMENSIONS - RFS-11A-2 (Internal fitting)



### DIMENSIONS - RFS-12-2 (External fitting with flying leads)



### DIMENSIONS - RFS-12P-2 (External fitting with DIN Plug)



### SPECIFICATION - RFS-11-2, RFS-12-2 & RFS-12P-2

Contact rating	50 VA	Temp range	-40°C to +120°C
Max switching voltage	300Vac	Max pressure	5 bar
Max switching current	0.5A AC/DC	Float SG	0.70 ± 0.04
Dielectric strength	600 V DC	Material (all s/steel)	Float = 316; Body =304 grade
Contact resistance	200 mOhms	Thread (Internal type)	1/8" BSP
Insulation resistance	10 mOhms	Thread (External type)	1/2" BSPT