

Flow Switch

Fluvatest CRE-025HM/HK

DATAFAX
2022

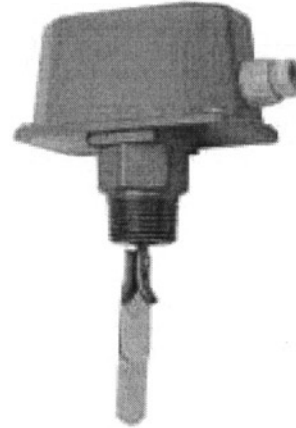
3.1.
CRE.

GENERAL CHARACTERISTICS

Mechanical Flow Switch for liquids or gaseous media. A bellow-supported paddle activates an adjustable micro switch. Rugged design in brass or stainless steel.

- * operational range a diameter 25-200
- * good repeatability
- * low pressure loss

Male thread R1" brass/stainless steel



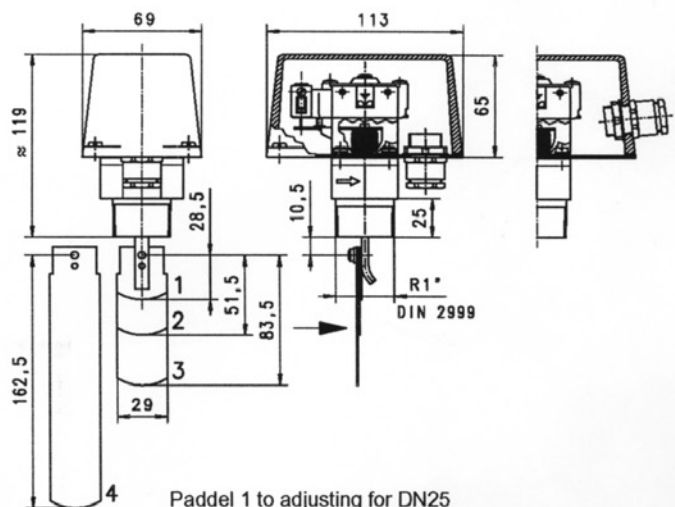
CRE-025HM

TRCHNICAL DATA

DN	Qmax. recom. m³/h H₂O	adjustable range m³/h H₂O	adjustable range reduced m³/h H₂O	paddle
25	3.6	0.6 - 2.0	0.2 - 1.0	1
32	6	0.8 - 2.8	0.25 - 1.4	1
40	9	1.1 - 3.7	0.5 - 1.9	1
50	15	2.2 - 5.7	0.9 - 3.6	1,2
65	24	2.7 - 6.5	1.2 - 4.9	1,2
80	36	4.3 - 10.7	2.1 - 7.4	1,2,3
100	60	11.4 - 27.7	4.9 - 17.1	1,2,3
	60	6.1 - 17.3	3.3 - 11.6	1,2,3,4
150	120	35.9 - 81.7	16.6 - 47.6	1,2,3
	120	12.3 - 30.6	6.1 - 21.4	1,2,3,4
200	240	72.6 - 165.7	25.7 - 90.1	1,2,3
	240	38.6 - 90.8	21.7 - 55.3	1,2,3,4

Adjustable range is indicated for horizontally decreasing flow.

pressure	CRE-025HM	11 bar static 11 bar dynamic
	CRE-025HK	30 bar static 11 bar dynamic
media temperature	max. 120°C	
average pressure loss	0.08bar at Qmax.	
hysteresis	depending on switch value minimum 0.1 l/min.	
weight	CRE-025HM	0.95kg
	CRE-025HK	1.15kg



MATERIALS

housing	CRE-025HM	brass Ms58	CRE-025HK	stainless steel 1.4571
paddle		stainless steel 1.4571		stainless steel 1.4571
bellow		tombak		stainless steel 1.4571
cup		ABS		ABS
plate		steel zinc coating		steel zinc coating

Paddel 1 to adjusting for DN25
Paddel 4 may be adjusted to pipe size
DN 100 paddle lenght 92
DN 125 paddle lenght 117
DN 150 paddle lenght 143
from DN 175 original paddle lenght

Flow Switch

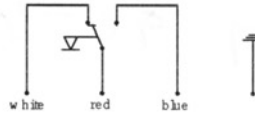
Fluvatest CRE-025HM/HK

PVL DATAFAX 2022

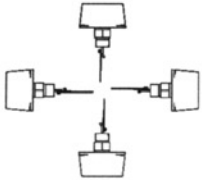
3.1. CRE.

ELECTRICAL DATA

micro switch - wiring 0.374 change over
 250 V AC 15(8) A
 cable gland Pg11
 protection class IP 65



MOUNTING POSITION



Installation position may influence switch value.

METERING SUBSTANCES



water



oil



design stainless steel CRE-025HK for aggressive liquids

NOMENCLATURE

CRE-	025	H	M	S		basic type specification
	025					● connection thread DN25 - R1"
		H				● socket thread
			M			● brass design
			K			● stainless steel design
				S		● cable gland in cap
				U		● cable gland in basic plate
					R	○ reduced adjustable range
Programme option						○ TUV-approval No. S 99 -028 and S 99-029
BASIC						
Special option						□ gold contacts 125 V AC / 1 A
VARIO						adjustment

IMPORTANT FOR YOUR ORDER

- Please indicate flow direction, metering substance and adjustable range with your order.
- With viscous liquids please indicate viscosity, temperature and metering substance (adjustable range on request)

Adjustment instructions:

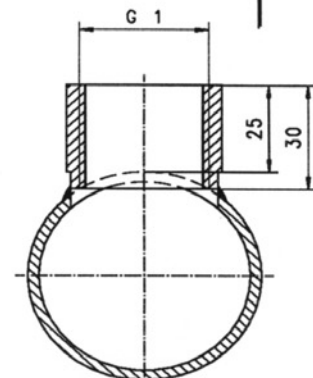
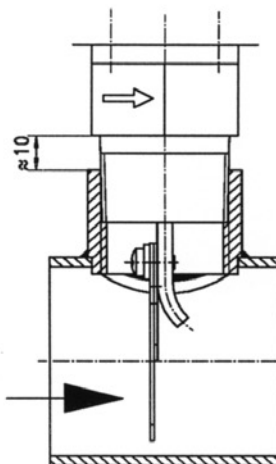
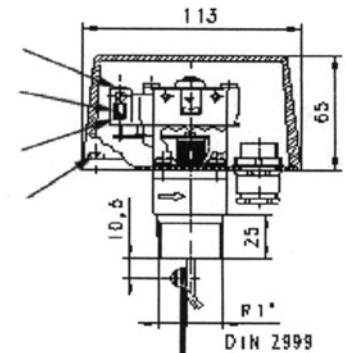
1) Always ensure that there is enough flow to operate the switch at the required set point, taking into account that the setting range given in the datasheets is for falling flow and that the hysteresis is 10%

2) Remove the 4 x cover retaining screws

3) Turn the adjustment screw clockwise to increase the falling flow rate set point and anti clockwise to decrease the falling flow rate set point.

N.B Special care must be taken to ensure that the set point indicator is never in the fully down position as this will cause the unit to be inoperative.

- adjustment screw
- viewing window
- set point indicator
- cover retaining screws



INSTALLATION RECOMMENDATIONS

tube DIN 2448 standard wall thickness

All technical changes reserved

● BASIC Standard ○ BASIC Programme option □ VARIO Special option ⊕ PLUS Accessories

✗ not recommendable