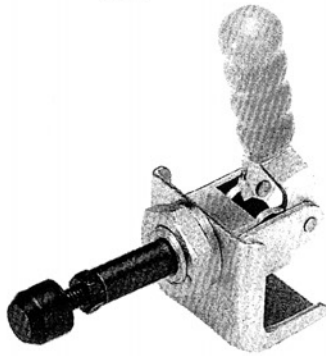
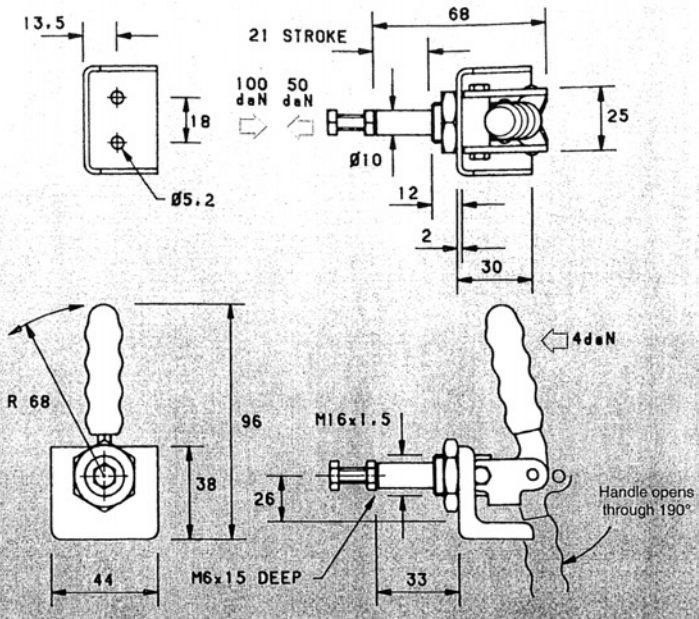


MODEL P100 \*



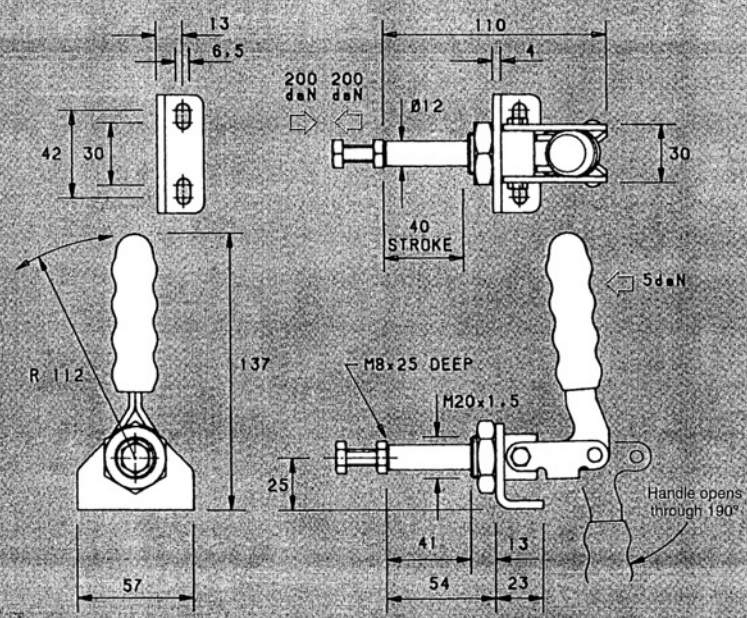
**Plunger:** Locks at both extended & retracted ends of the stroke.  
**Base:** Nose or flange mounting.  
**Nominal Holding Force:** 100 daN  
**Weight:** 0.15 Kg  
**Supplied complete with:** MB0650 Setscrew & nut. Mounting bracket & locknut.  
 See "Accessories" for alternative FM16 Mounting Bracket & other items.



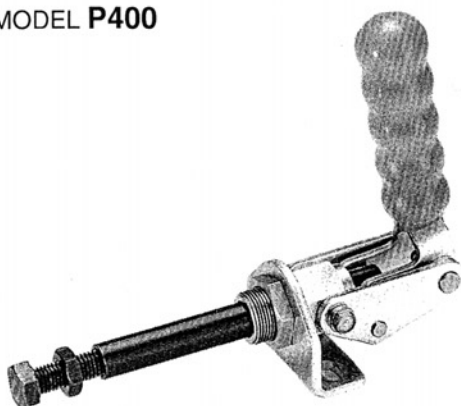
MODEL P200



**Plunger:** Locks at both extended & retracted ends of the stroke.  
**Base:** Nose or flange mounting.  
**Nominal Holding Force:** 200 daN  
**Weight:** 0.35 Kg  
**Supplied complete with:** MB0860 Setscrew & nut. Mounting bracket & locknut.  
 See "Accessories" for alternative FM20 Mounting Bracket & other items.



MODEL P400



**Plunger:** Locks at both extended & retracted ends of the stroke.  
**Base:** Nose or flange mounting.  
**Nominal Holding Force:** 400 daN  
**Weight:** 0.80 Kg  
**Supplied complete with:** MB1080 Setscrew & nut. Mounting bracket & locknut.  
 See "Accessories" for alternative FM24 Mounting Bracket & other items.

