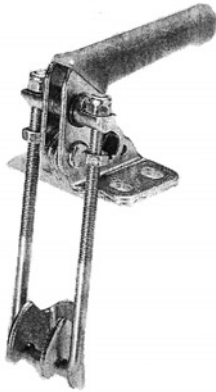


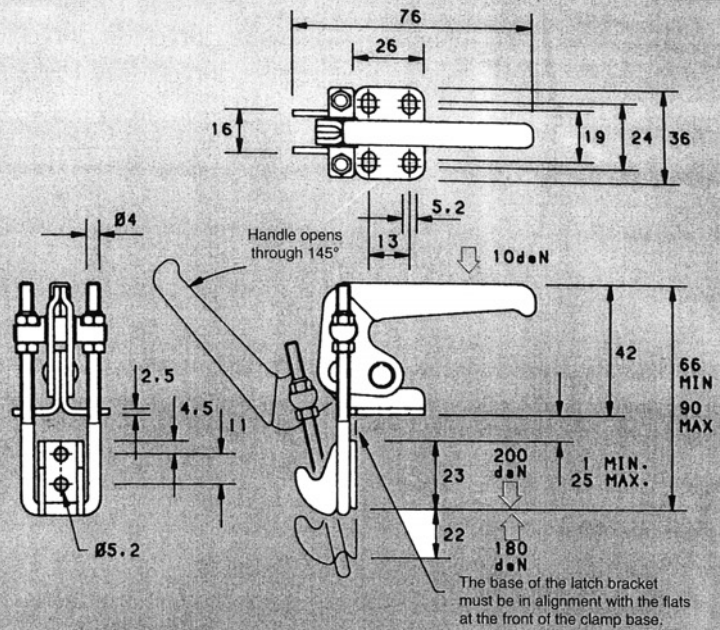
LATCH CLAMPS — VERTICAL

MODEL LU200V *



Nominal Holding Force: 200 daN
Weight: 0.05 Kg
Supplied complete with: Latch Bracket as shown.

See "Features and installation information" page for installation instructions.

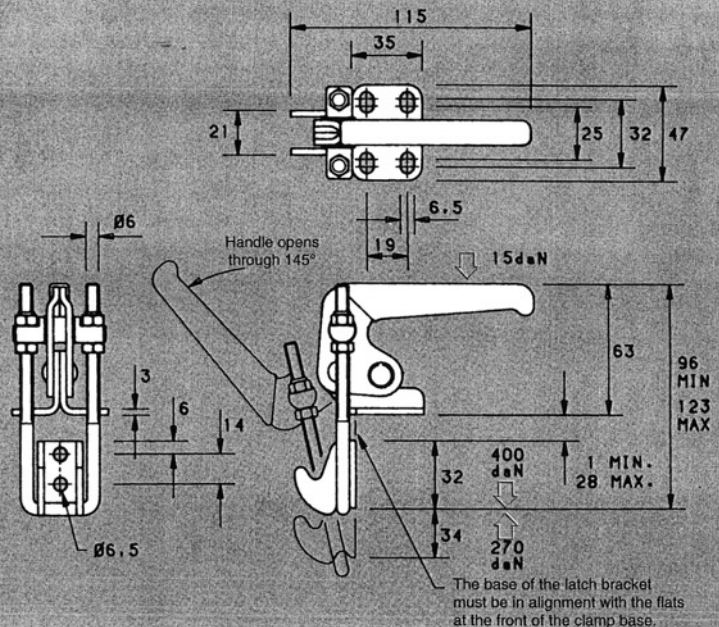


MODEL LU400V



Nominal Holding Force: 400 daN
Weight: 0.25 Kg
Supplied complete with: Latch Bracket as shown.

See "Features and installation information" page for installation instructions.



MODEL LU700V



Nominal Holding Force: 700 daN
Weight: 0.70 Kg
Supplied complete with: Latch Bracket as shown.

See "Features and installation information" page for installation instructions.

