

One-ear clip **W1**

With Stainless steel Inner-Ring



One Ear Clip W1 - A10RB W1

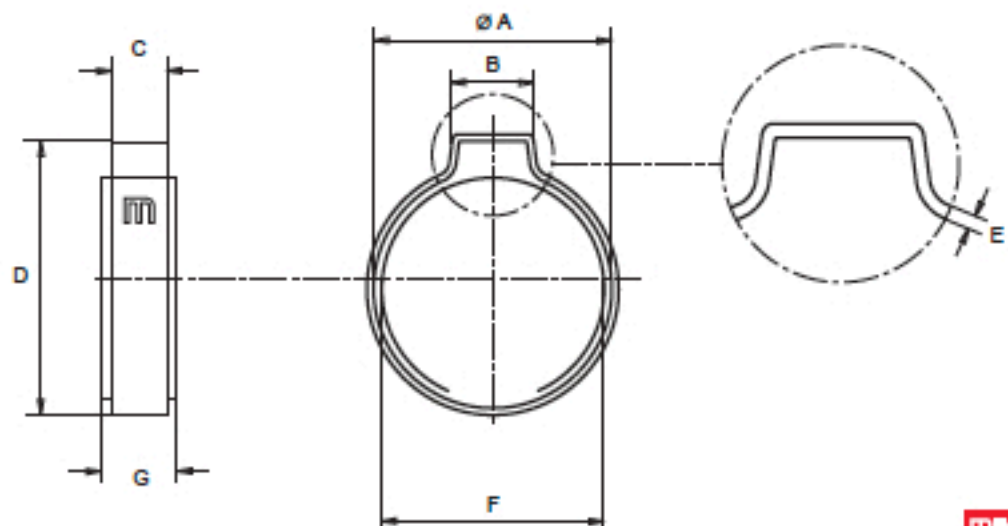
Information	Ø Application		Reference W1	A	B	C	D	E	F	G	Box Quantity	Packing	Colour
	min.	max.											
The use of One-ear clips is an economical solution for many simple hose assemblies, as they can be used with air or other fluids. The Inner-ring means that the clamp fits snugly around the hose, while the beveled edges protect the hose from being pinched during fitting. The use of One ear clips with Inner-ring is recommended when working with delicate hoses.	7,5	8,5	03011009	9,3	5,5	6,0	13,0	0,8	8,5	7,8	1000	8000	WHITE
	8,0	9,5	03011010	10,3	6,0	6,0	14,0	0,8	9,5	7,8	1000	8000	WHITE
	9,0	10,5	03011029	11,3	6,5	6,5	15,0	0,8	10,5	7,8	1000	8000	WHITE
	10,0	11,5	03011037	12,3	7,0	6,5	16,0	0,8	11,5	7,8	500	8000	WHITE
	10,5	12,5	03011045	13,3	7,5	6,5	17,0	0,9	12,5	7,8	500	8000	WHITE
	11,5	13,3	03011053	14,3	8,0	7,0	18,5	1,0	13,3	8,8	500	4000	WHITE
	13,0	15,3	03011061	16,3	8,5	7,0	20,5	1,1	15,3	8,8	500	4000	WHITE
	15,0	17,3	03011070	18,5	9,5	7,0	23,0	1,2	17,3	8,8	500	4000	WHITE

Materials **W1**

Band:
St 34 steel (DIN 2393 C)

Finish:
Silver-white Cr3 Zinc-Plated

Inner-ring:
AISI-301 Stainless steel



Stainless steel One-ear clip **W4**



With Stainless steel Inner-Ring



One Ear Clip W4 - A10RI W4

Information

	Ø Application		Reference W4	A	B	C	D	E	F	G	Box Quantity	Packing 16000	Colour
	min.	max.											
The use of One-ear clips is an economical solution for many simple hose assemblies, as they can be used with air or other fluids. The inner-ring means that the clamp fits snugly around the hose, while the beveled edges protect the hose from being pinched during fitting. Due to the AISI-304 steel used in the manufacture of these clips, their corrosion resistance is outstanding. These clips are especially recommended in outdoor and marine applications.	7,5	8,5	23012300	9,3	5,5	6,0	13,0	0,8	8,5	7,8	2000	8000	INOX
	8,2	9,5	23012319	10,3	6,0	6,0	14,0	0,8	9,5	7,8	1000	8000	INOX
	9,0	10,5	23012327	11,3	6,5	6,5	15,0	0,8	10,5	7,8	1000	8000	INOX
	10,0	11,5	23012335	12,3	7,0	6,5	16,0	0,8	11,5	7,8	1000	8000	INOX
	10,5	12,5	23012343	13,3	7,5	6,5	17,0	0,8	12,5	7,8	500	4000	INOX
	11,5	13,5	23012351	14,3	8,0	7,0	18,5	1,0	13,5	7,8	500	4000	INOX
	12,5	14,5	23012360	15,3	8,0	7,0	19,5	1,0	14,5	8,8	500	4000	INOX
	13,0	15,3	23012378	16,3	8,5	7,0	20,5	1,0	15,3	8,8	500	4000	INOX
	14,0	16,3	23012386	17,5	9,0	7,0	22,0	1,0	16,3	8,8	250	4000	INOX
	15,0	17,3	23012394	18,5	9,5	7,0	23,0	1,0	17,3	8,8	250	2000	INOX
16,0	18,3	23012407	19,5	9,5	7,5	24,0	1,0	18,3	9,8	250	2000	INOX	
17,0	19,3	23012415	20,5	10,0	7,5	25,0	1,0	19,3	9,8	200		INOX	

Materials **W4**

Band:
AISI-304
Stainless steel (A2)

Finish:
100% Stainless steel

Inner-ring:
AISI-301
Stainless steel

