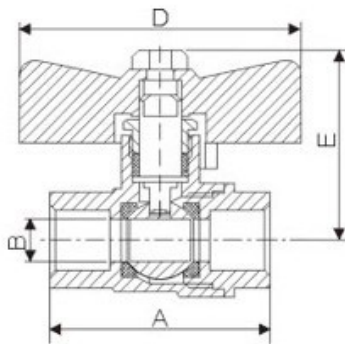


**ART.EH1003**

Forged brass ball valve, red steel butterfly handle; FxF ISO7/1 thread PN25

Size: 1/4"~1"



**Technical features:**

Suitable for domestic water services, heating and air-conditioning plants, compressed air systems.

Minimum and maximum working temperature: - 15°C, 120°C.

Available: in all sizes from 1/4" up to 1".

**Materials:**

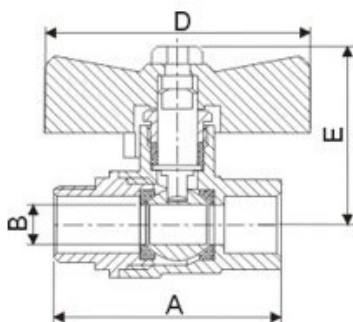
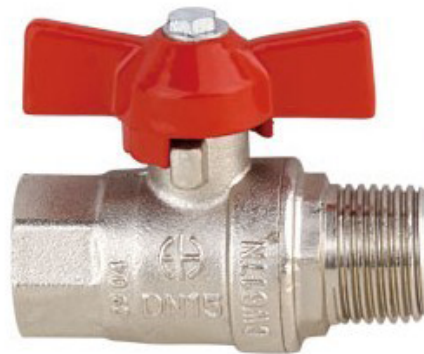
- Valve Body: CW617N
- Handle: Aluminium
- Ball: Hard chrome-plated brass
- Seal: P.T.F.E.
- Stem: Brass
- Stem-seal: Brass
- O-Ring: P.T.F.E.

Size(mm)	1/4"	3/8"	1/2"	3/4"	1"
DN	8	10	15	20	25
A	41.8	45	53	61	69
B	8	10	14	19	23
D	53.5	52	52	52	62
E	36.5	37	39	41.5	50

**ART.EH1004**

Forged brass ball valve, red steel butterfly handle; FxM ISO7/1 thread PN25

Size: 1/4"~1"



**Technical features:**

Suitable for domestic water services, heating and air-conditioning plants, compressed air systems.

Minimum and maximum working temperature: - 15°C, 120°C.

Available: in all sizes from 1/4" up to 1".

**Materials:**

- Valve Body: CW617N
- Handle: Aluminium
- Ball: Hard chrome-plated brass
- Seal: P.T.F.E.
- Stem: Brass
- Stem-seal: Brass
- O-Ring: P.T.F.E.

Size(mm)	1/4"	3/8"	1/2"	3/4"	1"
DN	8	10	15	20	25
A	52	55	53	61	69
B	8	10	14	19	23
D	53.5	52	52	52	62
E	36.5	37	39	41.5	50