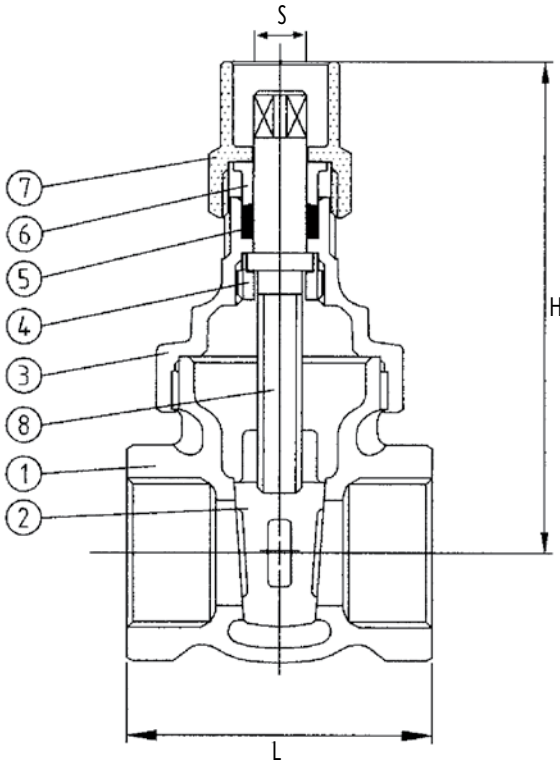




## PN20 Bronze Gate Valve

### Features

- Screwed BSP Taper
- Bronze Body & Disc
- PN20 Rated
- BS 5154B
- Screwed Bonnet
- Lock Shield



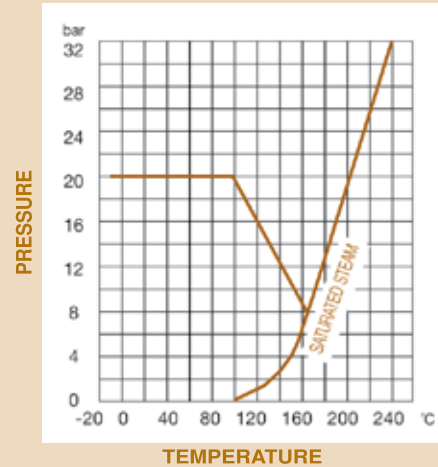
### Technical Data

Maximum Pressure 20 Bar  
 Working Temperature -10°C to +180°C

Dimensions in mm

This data sheet is designed as a guide and should not be regarded as wholly accurate in every detail. We reserve the right to amend the specification of any product without notice.

### Pressure / Temperature



N.	Part Name	Materials
1	Body	Bronze ASTM B62 C83600
2	Disc	Bronze ASTM B62 C83600
3	Bonnet	Bronze ASTM B62 C83600
4	Lock Nut	Brass ASTM B16 C36000
5	Stem Packing	Teflon PTFE
6	Gland	Brass ASTM B16 C36000
7	Packing Nut	Brass ASTM B16 C36000
8	Stem	Brass ASTM B16 C36000

DN	15	20	25	32	40	50
L	47.5	51.5	58.6	63.0	66.5	73.5
H	70.0	80.5	94.0	110.5	123.5	146.5
S	6.3	6.3	6.3	8.0	8.0	9.5
Kgs	0.28	0.40	0.56	0.79	1.06	1.62