

VOCI DI CAPITOLATO - TECHNICAL FEATURES

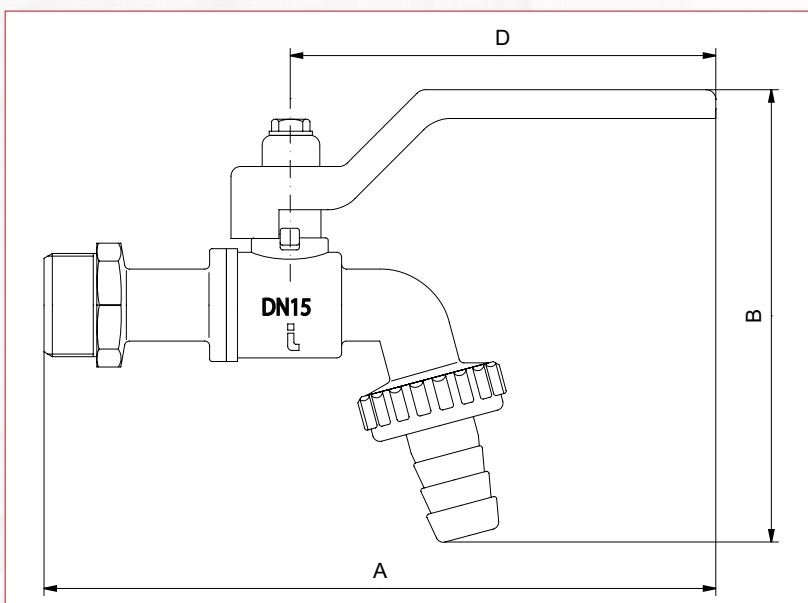


Corpo in ottone nichelato.  
Raccordo in ottone.  
Maniglia a leva in acciaio.  
Temperature minima e massima d'esercizio:  
-20°C, 80°C.  
Attacco filettato ISO228  
(equivalente a DIN EN ISO 228 e BS EN ISO 228).  
Misure disponibili:  
**1/2"x3/4", 3/4"x1".**

*Body in nickel-plated brass.  
Hose connection in brass.  
Lever handle in steel.  
Minimum and maximum working temperatures:  
-20°C, 80°C.  
Threads ISO228  
(equivalent to DIN EN ISO 228 and BS EN ISO 228).  
Available sizes:  
**1/2"x3/4", 3/4"x1".***

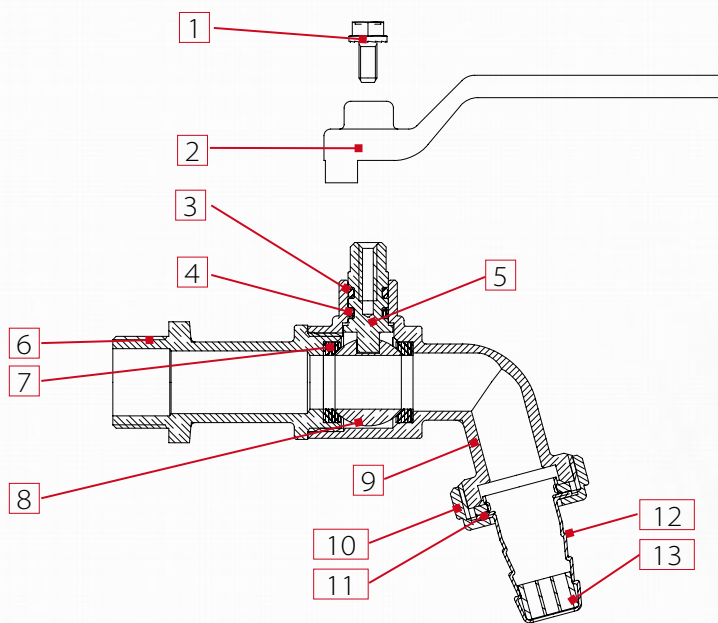
MISURA/SIZE	1/2" (DN 15)	3/4" (DN 20)
PRESSIONE/PRESSURE	15bar/217.5psi	15bar/217.5psi
CODICE/CODE	1740012	1740034
IMBALLO/PACKING	15/135	10/140

QUOTE DI INGOMBRO - DRAWING



MISURE / SIZE	1/2"	3/4"
DN	15	20
A (mm)	129	132
B (mm)	87	97
D (mm)	80	80
PRESS. ATMOSF. / WORK. PRESS. Kg/cm <sup>2</sup> - bar	15	15
PRESS. ATMOSF. PSI LBS WORK. PRESS	220	220





POS.	DESCRIZIONE/DESCRIPTION	Q.TÀ/N.	MATERIALE/MATERIAL
1	Vite / Screw	1	Fe CB4 Zincato / Zinco-plated steel
2	Maniglia a leva / Lever handle	1	Fe P04 Zincato-Verniciato / Zinco-plated and varnished steel
3	Guarnizione / O-ring	1	Or-VITON / VITON - 70 SH/A
4	Guarnizione / O-ring	1	OR-NBR / NBR - 70 SH/A
5	Asta di manovra / Stem	1	Ottone CW614-N / Brass CW614-N
6	Manicotto / End adapter	1	Ottone stampato CW617-N nichelato / Hot pressed brass nickel-plated
7	Tenuta laterale / Seal	2	PTFE
8	Sfera / Ball	1	Ottone CW614-N nichel-cromo / Hard chrome-plated brass
9	Corpo / Body	1	Ottone stampato CW617-N nichelato / Hot pressed brass nickel-plated
10	Girello / Nut	1	Ottone stampato CW617-N nichelato / Hot pressed brass nickel-plated
11	Guarnizione / Washer	1	PVC / PVC Rubber
12	Codolo / Hose connection	1	Ottone nichelato UNI 4892 - EN 10204 / Nickel-plated brass
13	Codolo / Hose connection	1	Vestolen / Vestolen A 6016

Certificazioni- Certifications

