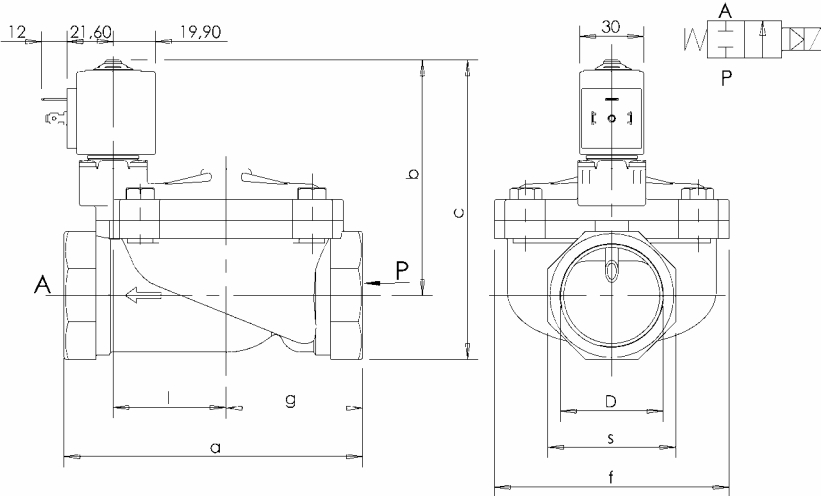




**SOLENOID VALVE**  
**2/2 - NO (Normally open)**  
 Pilot operated  
**G1 ¼ ÷ 2**

**L280**  
 G 1" ¼ ÷ 2"



D	a	b	c	f	g	l	s
G 1 ¼	113	125	151	81	50	40	52
G 1 ½	140	128	158	110	60	53	60
G 2	157	133	169	110	72	53	72

**► GENERAL FEATURES**

Diaphragm valve, pilot operated, having full orifice.  
 Suitable to shut off liquid and gaseous fluids (verify the compatibility of fluid with materials in contact).  
 Not suitable for use with dangerous fluids listed in Group 1, therefore they are free from CE marking in conformity with article 3 § 3 of the European Directive 97/23/EC (Pressure Equipment Directive).

**► TECHNICAL FEATURES**

Maximum allowable pressure (PS) 15 bar  
 Opening time from ~300ms to ~1500ms  
 Closing time from ~1000ms to ~2000ms  
 Fluid temperature -10°C +90°C (NBR)  
 0°C +130°C (FPM)  
 Max viscosity 5°E (~37 cStokes o mm<sup>2</sup>/s)

**► MATERIALS IN CONTACT WITH FLUID**

Body Brass  
 Sealing NBR or FPM  
 Internal components Brass and stainless steel  
 Seat Brass  
 Guide assembly Stainless steel  
 Shading ring Copper

**► COIL**

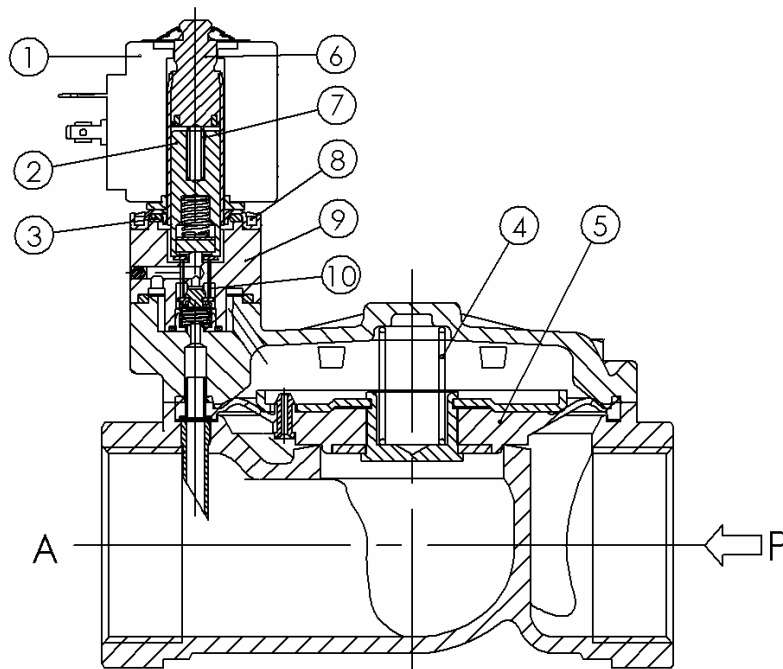
Continuous duty ED 100%  
 Coil impregnation Polyester resin  
 Encapsulation material PTB (polybutylene-terephthalate) fiberglass reinforced  
 Coil insulation class F (155 °C) on request class H (180°C) - UL  
 Ambient temperature -10 C° +50 °C  
 Electric connection DIN 46340- 3 poles connector (DIN 43650)  
 Protection degree IP 65 (EN 60529) with plug connector  
 Voltages DC 12-24V (+10% -5%)  
 AC 24V/50Hz - 110V/50Hz (120V/60Hz) - 230V/50Hz (+10% -15%)  
 (Other voltages and frequencies on request).

Port size ISO 228	Orifice size (mm)	Differential pressure (bar)				Kv (m <sup>3</sup> /h)	Series and type		Power absorption			Sealings	Notes	Weight (kg)
		Δp min	Δp max		Valve		Coil	AC (VA)		DC (W)				
			Gases	Liquids				Inrush	Holding					
G 1 ¼	30	0,50	10	10	10	10	L280B48	23	14	9	NBR	-	1,790	
G 1 ½	45												2,720	
G 2	45												3,130	
G 1 ¼	30						L280V48	23	14	9			FPM	1,790
G 1 ½	45													2,720
G 2	45													3,130

**► NOTE**

- Sealings : NBR = Nitrile-butylene elastomer FPM = Fluoro-carbon elastomer  
 - Operation with gaseous fluids at high pressure without any outlet restriction, can reduce the diaphragm life.

## ► SPARE PARTS



Kit description		Kit P.N.	Consisting of:
Core kit	L280B48 L280V48	G3108901 G3108902	Core pos. 2 Core OR pos. 3 Core return spring pos. 7
Reversing group kit	L280B48 L280V48	G3109101 G3109102	Reversing block pos. 9 Core return spring pos. 7 N.4 fixing screws pos. 8 Fork pos. 10
OR guide assembly	L280B48 L280V48	GU2421000053 GU2424000053	N.10 Guide group OR pos. 3
Diaphragm spring kit	G 1 ¼ G1 ½ - 2	G2401101 G2401501	N.10 diaphragm springs pos. 4
Diaphragm assembly	G 1 ¼ L280B48 G1 ½ - 2 L280B48 G 1 ¼ L280V48 G1 ½ - 2 L280V48	2400801 2401301 2400802 2401302	Diaphragm assembly pos. 5
Guide assembly		3092201	Guide assembly pos. 6
Coil		ZA30A	Coil pos. 1

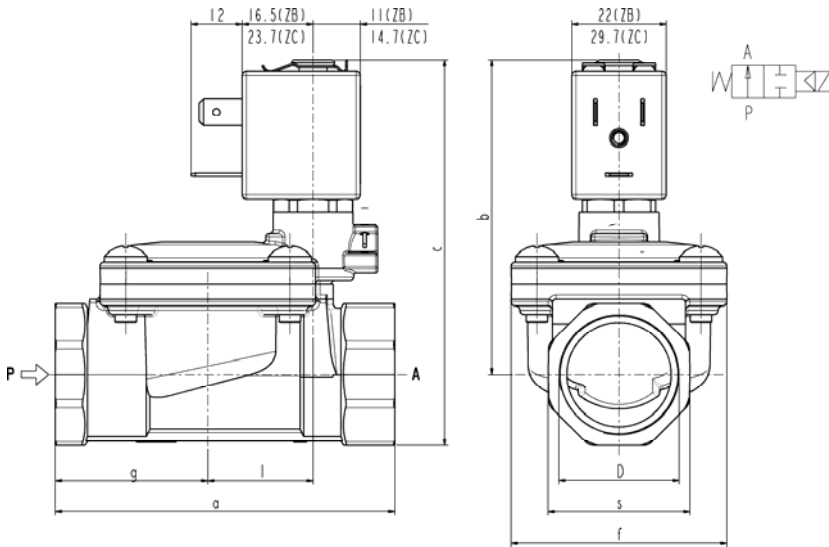
## ► MOUNTING

Solenoid valve can be mounted in any position; vertical with coil upwards preferred.



**SOLENOID VALVE**  
**2/2- NO (Normally open)**  
**Pilot operated**  
**G 3/8 ÷ G 1**

**L282**



D	a	b	c	f	g	l	s
G 3/8	60	67	78	40	25,5	20	22
G 1/2	66	69	83	40	29	20	27
G 3/4	79	73,5	90	50	35,5	24,5	33
G 1	105	85	106	71	46	28	42

► **GENERAL FEATURES**

Diaphragm valve, pilot operated, having full orifice.  
 Suitable to shut off liquid and gaseous fluids (verify the compatibility of fluid with material in contact).

► **TECHNICAL FEATURES**

Maximum allowable pressure (PS) 20bar  
 Opening time from ~300ms to ~1500ms  
 Closing time from ~1000ms to ~2000ms  
 Fluid temperature -10°C +90°C (NBR)  
 0°C +130°C (FPM)  
 Max viscosity 5°E (~37 cStokes o mm<sup>2</sup>/s)

► **MATERIALS IN CONTACT WITH FLUID**

Body Brass  
 Sealing NBR or FPM  
 Internal components Brass and stainless steel  
 Seat Brass  
 Core tube Stainless steel  
 Shading coil Copper

► **COIL**

According to standards

Encapsulation material

Insulation class

Ambient temperature

Continuous duty

Electric connection

Protection degree

Voltages DC  
 AC

ZB10A ZC10A	ZB12A ZC12A*	ZB14A ZC14A*
/	UL and CSA	UL and CSA
PA	PET	PET
fiberglass reinforced F (155°C)	fiberglass reinforced F (155°C)	fiberglass reinforced H (180°C)
-10°C +60°C	-10°C +60°C	-10°C +75°C
ED 100%		
DIN 46340- 3 poles plug connector		
IP 65 (EN 60529) with plug connector	IP 67 (EN 60529) with plug connector	IP 67 (EN 60529) with plug connector
ZC: 12-24V (+10% -5%)		
ZB: 24V/50-60Hz - 115V/50Hz - 230V/50-60Hz (+10% -15%)		

(Other voltages and frequencies on request).

\* ZC12A - ZC14A: UL approval pending

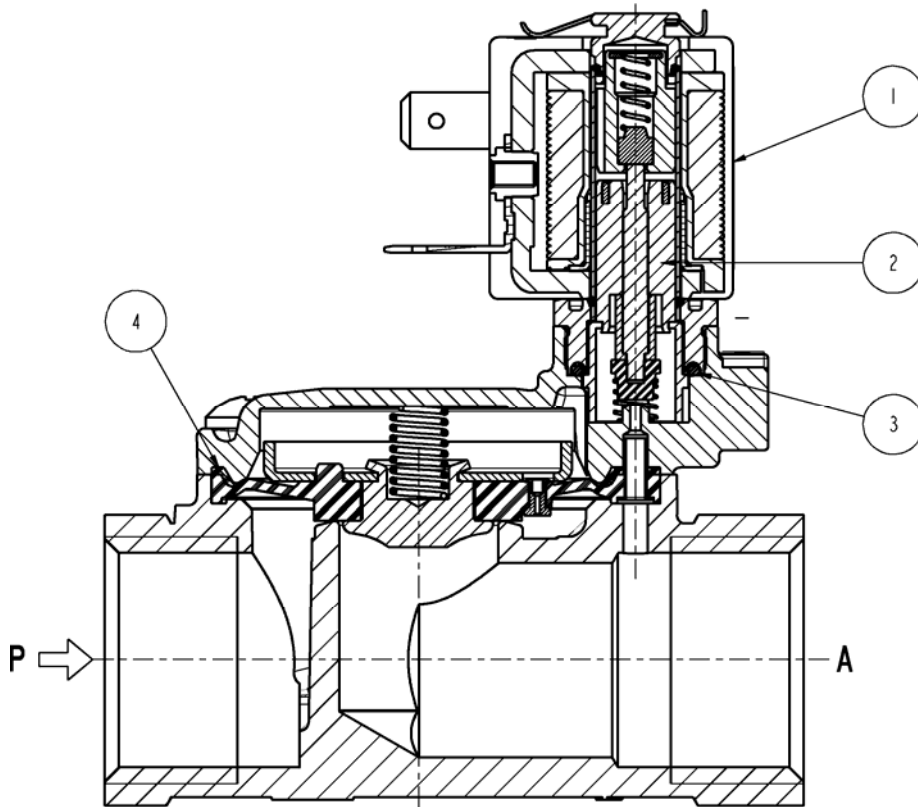
Port size ISO 228	Orifice size (mm)	Differential pressure (bar)				Kv (m <sup>3</sup> /h)	Series and type		Power absorption				Sealings	Notes	Weight (kg)																																															
		Δp max					Valve	Coil	AC (VA)			DC																																																		
		Δp min	Gas		Liquid				Inrush	Holding																																																				
				AC	DC	AC	DC			VA	VA	W	W																																																	
3/8	13,5	0,35	12	-	12	-	L282B01	ZB10A ZB12A	12	6	4	-	NBR	-	0,32																																															
1/2																10	10	5	L282V01	ZC10A ZC12A	-	-	-	5,5	NBR	-	0,32																																			
3/4	12																											12	3,8	L282B01	ZC10A ZC12A	-	-	-	5,5	NBR	-	0,38																								
1																																							10	10	5	L282V01	ZC10A ZC12A	-	-	-	5,5	NBR	-	0,52												
3/8																																																			10	10	12	L282B01	ZC10A ZC12A	-	-	-	5,5	NBR	-	1,08
1/2																																																														
3/4			10	10	5	L282B01	ZC10A ZC12A	-	-	-	5,5	NBR	-	0,38																																																
1															12	12	3,8	L282V01	ZC10A ZC12A	-	-	-	5,5	NBR	-	0,52																																				
	10																										10	12	L282B01	ZC10A ZC12A	-	-	-	5,5	NBR	-	1,08																									
																																						10	10	12	L282V01	ZC10A ZC12A	-	-	-	5,5	FPM	-	1,08													

► **NOTES**

- Sealings: NBR=Nitrile-butylene elastomer FPM=Fluoro-carbon elastomer
- Operation with gaseous media, at high pressure without any outlet restriction, can reduce the diaphragm life.
- On request coil in class H (ZB14A – ZC14A - see § "COIL")

# L282

## ► SPARE PARTS



Kit description		Kit P.N.	Consisting of:
Actuator kit		G3139801	Actuator kit pos.2 O-Ring guide assembly pos. 3
Diaphragm assembly	L282B	G3/8-1/2 2844302R G3/4 2299701R G1 2380101R	Diaphragm assembly pos.4
	L282V	G3/8-1/2 2844303R G3/4 2299702R G1 2380102R	
Coil		ZB ZC	Coil pos.1

## ► INSTALLATION

- Solenoid valve can be mounted in any position; vertical with coil upwards preferred.