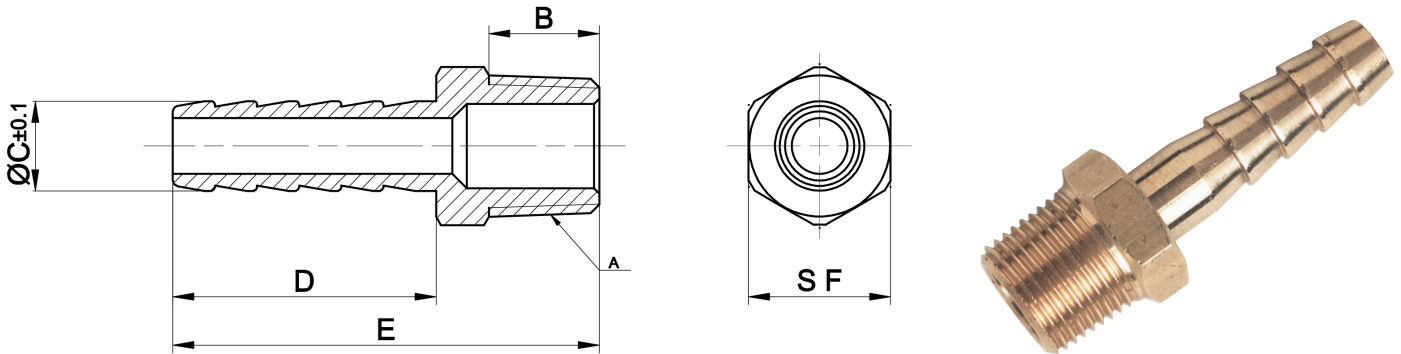


# Brass Hose Tails

## Male x Hose Tail, Brass



| PART NO  | THREAD SIZE (A) | THREAD LENGTH (B) | TAIL OD (C) | TAIL LENGTH (D) | OVERALL LENGTH (E) | HEX DIMENSIONS (F) |
|----------|-----------------|-------------------|-------------|-----------------|--------------------|--------------------|
| GT10/04K | R1/8-28         | 8                 | 3.6         | 19.5            | 32                 | 11                 |
| GT10/05K | R1/8-28         | 8                 | 5.2         | 19.5            | 32                 | 11                 |
| GT10/06K | R1/8-28         | 8                 | 6.8         | 22.5            | 35                 | 11                 |
| GT10/08K | R1/8-28         | 8                 | 8.5         | 22.5            | 35                 | 11                 |
| GT10/09K | R1/8-28         | 8                 | 10.5        | 22.5            | 35                 | 11                 |
| GT13/04K | R1/4-19         | 10.5              | 3.6         | 19.5            | 35.5               | 13.5               |
| GT13/05K | R1/4-19         | 10.5              | 5.2         | 19.5            | 35.5               | 13.5               |
| GT13/06K | R1/4-19         | 10.5              | 6.8         | 22.5            | 39.5               | 13.5               |
| GT13/08K | R1/4-19         | 10.5              | 9.5         | 25              | 40.5               | 13.5               |
| GT13/09K | R1/4-19         | 10                | 11          | 25              | 41                 | 13.5               |
| GT13/13K | R1/4-19         | 10.5              | 13.7        | 35              | 51                 | 14.2               |
| GT17/06K | R3/8-19         | 12.5              | 6.8         | 22.5            | 41                 | 18                 |
| GT17/08K | R3/8-19         | 12.5              | 8.5         | 22.5            | 41                 | 18                 |
| GT17/09K | R3/8-19         | 13                | 10.5        | 35              | 54.5               | 18                 |
| GT17/13K | R3/8-19         | 12.5              | 13.7        | 35              | 53.5               | 18                 |
| GT17/16K | R3/8-19         | 13                | 16.5        | 36              | 56.5               | 17..5              |
| GT17/19K | R3/8-19         | 12.5              | 19.8        | 37.5            | 56.5               | 22                 |
| GT21/06K | R1/2-14         | 15.5              | 6.8         | 22.5            | 44.5               | 22                 |
| GT21/08K | R1/2-14         | 15.5              | 10          | 35              | 58                 | 22                 |
| GT21/09K | R1/2-14         | 15.5              | 10.3        | 26              | 49                 | 22                 |
| GT21/13K | R1/2-14         | 14.2              | 13.9        | 37              | 59                 | 22                 |
| GT21/16K | R1/2-14         | 15.5              | 16.8        | 35              | 58.5               | 22                 |
| GT21/19K | R1/2-14         | 15.5              | 19.8        | 38              | 60.5               | 22                 |
| GT21/25K | R1/2-14         | 15.5              | 26.4        | 37.5            | 61                 | 28                 |
| GT26/09K | R3/4-14         | 16                | 10.5        | 22.5            | 45.5               | 28                 |
| GT26/13K | R3/4-14         | 16                | 13.7        | 35              | 58                 | 28                 |
| GT26/16K | R3/4-14         | 16                | 16.8        | 37.5            | 60.5               | 28                 |
| GT26/19K | R3/4-14         | 16                | 19.8        | 37.5            | 60.5               | 28                 |
| GT26/25K | R3/4-14         | 17.5              | 26          | 38              | 63                 | 28                 |
| GT33/13K | R1-11           | 18                | 13.7        | 36              | 63                 | 34.5               |
| GT33/19K | R1-11           | 18.5              | 19.8        | 37.5            | 64.4               | 34.5               |
| GT33/25K | R1-11           | 18.8              | 26          | 43.7            | 70.5               | 34                 |
| GT33/31K | R1-11           | 18.5              | 32.8        | 37.5            | 64.5               | 34.5               |
| GT42/25K | R1-1/4-11       | 23                | 26.4        | 37.5            | 71.5               | 42.5               |
| GT42/31K | R1-1/4-11       | 20.5              | 32.8        | 37.5            | 69.5               | 42.5               |
| GT48/38K | R1-1/2-11       | 20.5              | 38.5        | 56.5            | 88.5               | 51                 |
| GT52/50K | R2              | 24                | 51.8        | 64              | 100                | 61.5               |