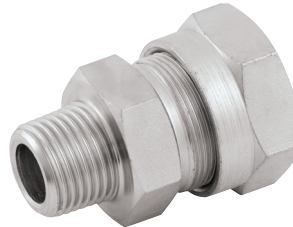
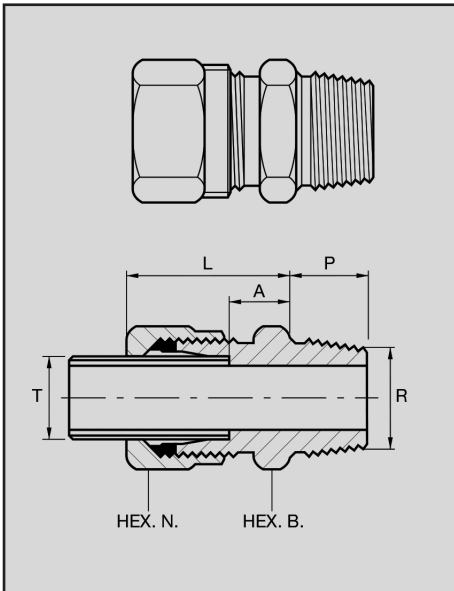


Hydraulic Imperial Compression Fittings



Steel Fittings for O.D. & N.B.



Part No.	N.B. Tube Size T.	BSPT Thread R.	Nut Hexagon N.	Body Hexagon B.	Tube Abutment A.	Thread Length P.	O/A Length L.
NMC4-4T	1/4"	1/4"	1.10"	.920"	3/8"	7/8"	1 1/16"
NMC4-6T	1/4"	3/8"	1.10"	.920"	3/8"	1/2"	1 1/16"
NMC4-8T	1/4"	1/2"	1.10"	.920"	3/8"	5/8"	1 1/16"
NMC6-4T	3/8"	1/4"	1.20"	1.10"	7/16"	7/8"	1 1/4"
NMC6-6T	3/8"	3/8"	1.20"	1.10"	7/16"	1/2"	1 1/4"
NMC6-8T	3/8"	1/2"	1.20"	1.10"	7/16"	5/8"	1 1/4"
NMC8-8T	1/2"	1/2"	1.375"	1.20"	1/2"	5/8"	1 3/8"
NMC8-12T	1/2"	3/4"	1.375"	1.30"	1/2"	3/4"	1 3/8"
NMC12-12T	3/4"	3/4"	1.67"	1.48"	5/8"	3/4"	1 5/8"
NMC16-16T	1"	1"	2.05"	1.67"	3/4"	7/8"	1 3/4"
NMC16-20T	1"	1 1/4"	2.05"	1.86"	13/16"	1"	1 13/16"
NMC20-16T	1 1/4"	1"	2.58"	2.22"	15/16"	7/8"	2 1/16"
NMC20-20T	1 1/4"	1 1/4"	2.58"	2.22"	15/16"	1"	2 1/16"
NMC20-21T	1 1/4"	1 1/2"	2.58"	2.22"	15/16"	1"	2 1/16"
NMC24-24T	1 1/2"	1 1/2"	3.02"	2.58"	15/16"	1"	2 1/8"