

2 in 1 Air Nailer & Stapler

Model No.: SF5040RC

AEROPRO
ENGINEERED FOR PROFESSIONALS



IMPORTANT:

Read all safety rules and operating Instructions carefully before first use it. Keep this Manual for future reference.



Residual risks

Even when the tool is used as prescribed it is not possible to eliminate all residual risk factors. The following hazards may arise in connection with the tool's construction and design:

- Damage to lungs if an effective dust mask is not worn.



- Damage to hearing if effective hearing protection is not worn.



- Health defects resulting from vibration emission if the power tool is being used over longer period of time or not adequately managed and properly maintained.

- Wear eye protection.



2014



- 1 Technical data
- 1.1 Fastener
- 1.2 Accessories
- 1.3 Description/Features
- 1.4 Location of Parts
- 2 Special references
- 2.1 Regulations
- 2.2 Noise emission
- 2.3 information on mechanical impact (vibration)
- 2.4 Safety of fastener driving tool
- 2.5 Safety at work
- 2.6 Triggering devices

- 2.7 Actuating systems
- 3 Compressed air system
- 4 Preparing the tool for use
- 4.1 Preparing a tool for first operation
- 4.2 Connection to the Compressed air system
- 4.3 Filling the magazine
- 4.4 Handling the tool
- 5. Maintenance
- 6 Troubleshooting
- 7 explode drawing
- 8 Spare parts list

1 Technical data

Type of tool	SF5040RC
Weight (without fasteners).....	1.5kgs
Activation mode	single sequential actuation
Maximum allowable pressure.....	8.3 bar
Recommended allowable pressure range.....	4.8 to 7.5 bar
Noise characteristic values in accordance with EN 12549.LpA :.....	87.7 dB(A)
Vibration characteristic values in accordance with.....	2.3 m/s ²
Recommended lubricant.....	white mineral oil 10#

1.1 Fastener

Fastener size for brad nail: 18 gauge(1.25x1.0mm),length:15-50mm(5/8"-2")
 Fastener size for staple :Crown :5.70mm. 18 gauge (1.25*1.05mm) length:15—40mm (5/8"—1-5/8")

1.2 Accessories

- Hexagon Key
- Lubricant
- Operating instruction

1.3 Description/Features

Innovative design with light weight
 Easily open magazine latch for fast loading by one hand
 Continuous operation for high efficiency
 Heat treated air inlet plug prolonged the life.

1.4 location of Parts (see Figure 1)

- A-Magazine
- B-Magazine Latches
- C-Nailer Nose
- D-Trigger
- E-Exhaust Vent
- F-1/4" Air Quick Coupler



Figure 1

2 Special references

2.1 Instructions

The following standard is applicable to fastener driving tools; EN792-13:2000"Hand-held non-electric power tools-safety requirements – Part 13: Fastener driving tools".

This standard requires that

- Only those fasteners which are specified in the operating instructions (see TECHNICAL DATA) shall be used in fastener driving tools. The fastener driving tool and the fasteners specified in the operating instructions are to be considered as one unit safety system;
- quick action couplings shall be used for connection to the compressed air system and the non-sealable nipple must be fitted at the tool in such a way that no compressed air remains in the tool after disconnection;
- oxygen or combustible gases shall not be used as an energy source for compressed air operated fastener driving tools;
- fastener driving tools shall only be connected to an air-supply where the maximum allowable pressure of the tool cannot be exceeded by more than 10%;in the case of higher pressure ,a pressure reducing valve which includes a downstream safety valve shall be built into the compressed air supply;
- only spare parts specified by the manufacturer or his authorized representative shall be used in the repair of fastener driving tools;
- repairs shall be carried out only by the manufacturers authorized agents or by other experts, having due regard to the information given in the operating instructions.
- stands for mounting the fastener driving tools to a support, for example to a work table, shall be designed and constructed by the stand manufacturer in such a way that the fastener driving tools can be safely fixed for the intended use, thus for example avoiding damage, distortion, displacement.

Special fields of application for the fastener driving tool may require the observance of additional provisions and regulations.

- only the main energy and lubricants listed in the operating instructions may be used;
- fastener driving tools marked with an inverted equilateral triangle standing on one point may only be used with an effective safety yoke;
- for the maintenance of fastener driving tools, only spare parts specified by the manufacturer or his authorized representative shall be used;
- repairs shall be carried out only by agents authorized by the manufacturer or by other specialists, having due regard to the information given in the operating instructions;
- NOTE: Specialists are those who, as a result by professional training or experience, have sufficient expertise in the field of fastener driving tools and sufficient familiarity with relevant governmental industrial protection provisions, accident prevention regulations, directives and generally recognized technical regulations(e.g.CEN-and CENELEC-standards),to be able to assess the safe working condition of fastener driving tools.

2.2 Noise emission

The characteristic noise values for the fastener driving tool have been determined in accordance with EN12549:1999 and EN ISO4871"Acoustics-Noise test code for fastener driving tools-Engineering method"(see Technical Data).

These values are tool-related characteristic values and do not represent the noise development at the point of use. Noise development at the point of use will for example depend on the working environment, the work piece, the work piece support and the number of driving operations, etc.

Depending in the conditions at the workplace and the form of the workplace, individual noise attenuation measures may need to be carried out, such as placing work pieces on sound-damping supports, preventing work piece vibration by means of clamping or covering, adjusting to the minimum air pressure required for the operation involved, etc, In special cases it is necessary to wear hearing protection equipment.

2.3 Information on mechanical impact (vibration)

The characteristic vibration values for the fastener driving tool have been determined in accordance with ISO 8662-11:1999 and EN 12096 – Measurement of vibration in hand-held power tools – Part 11: Fastener driving tools(see Technical Data).

This value is a tool-related characteristic value and does not represent the influence to the hand-arm-system when using the tool. An influence to the hand-arm-system when using the tool will for example depend on the gripping force, the contact pressure force, the working direction, the adjustment of energy supply, the workplace, the work piece support.

2.4 Safety of the fastener driving tool

- Check prior to each operation that the safety and triggering mechanism is functioning properly and that all nuts and bolts are right.
- Do not carry out any alterations to the fastener driving tool without the manufactures authorization.
- Do not disassemble or make inoperative any parts of the fastener driving tool such as the safety yoke.
- Do not perform any “emergency repairs” without proper tools and equipment.
- The fastener driving tool should be serviced properly and at regular intervals in accordance with the Manufacturer’s instructions.
- Avoid weakening or damaging the too, for example by:
 - punching or engraving;
 - modification not authorized by the manufacturer
 - guiding against templates made of hard material such as steel;
 - use the equipment as a hammer;
 - applying excessive force of any kind

2.5 Safety at work

Never point any operational fastener driving tool at yourself or at any other person.

Hold the fastener driving tool during the work operation in such a way that no injuries can be caused to the head or to the body in the event of possible recoil consequent upon a disruption in the energy supply or hard areas within the workplace. (see fig 2)

Never actuate the fastener driving tool into free space. This will avoid any hazard caused by free flying fasteners and excessive strain of the tool.

The tool shall be disconnected from the compressed air system for the purpose of transportation, especially where ladders are used or where an unusual physical posture is adopted whilst moving (see Fig 3).

Carry the fastener driving tool at the workplace using only the handle, and never with the trigger actuated.

Take conditions at the workplace into account. Fasteners can penetrate thin work pieces or slip off corners and edges of workplaces, and thus put people at risk.

For personal safety, use protective equipment such ad hearing and eye protection (see fig 2)

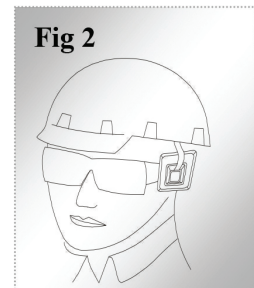


Fig 2

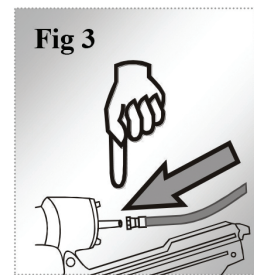


Fig 3

2.6 Triggering devices

Fastener driving tools are operated by actuating the trigger using finger pressure.

In addition, fastener driving tool is fitted with a safety yoke which enables the driving operation to be carried out only after the muzzle of the tool is pressed against a work piece, These tool are marked with an inverted triangle(▽) behind the serial number and are not permitted for use without an effective safety yoke.

2.7 Actuating systems

Depending on their purpose, fastener driving tool is fitted with actuating system of single sequential actuation.

Single sequential actuation: An actuating system in which the trigger and the safety yoke have to be activated so the only one single driving operation is actuated via the trigger after the muzzle of the tool has been applied to the driving location, Thereafter further driving operations can only be performed after the trigger has been returned to the non driving position whilst the safety yoke remains depressed.

3 Compressed air system

⚠WARNING⚠
Never free-fire the tool at high pressure.

Proper functioning of the fastener driving tool requires filtered, dry and lubricated compressed air in adequate quantities. If the air pressure in the line system exceeds the maximum allowable of the fastener driving tool, a pressure reducing valve followed by a downstream safety valve shall additionally be fitted in the supply line to the tool.

NOTE: When compressed air is generated by compressors, the natural moisture in the air condenses and collects as condensed water in pressure vessels and pipelines. This condensate must be removed by water separators. These water separators must be checked on a daily basis and if necessary drained, since corrosion can otherwise develop in the compressed air system and in the fastener driving tool. Which serves to accelerate wear.

The compressor plant shall be adequately dimensioned in terms of pressure output and performance (volumetric flow) for the consumption which is to be expected. Line sections which are too small in relation to the length of the line (pipes and hoses), as well as overloading the compressor, will result in pressure drops.

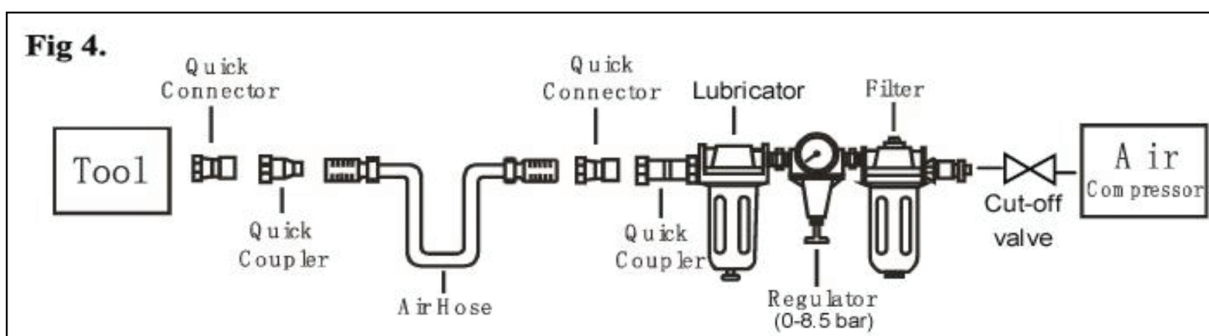
Permanently laid compressed air pipelines should have an internal diameter of at least 19 mm and a corresponding large diameter where relatively long pipelines or multiple users are involved.

Compressed air pipelines should be laid so as to form a gradient (highest point in the direction to the compressor). Easily accessible water separators should be installed at the lowest points.

Junctions for users should be joined to the pipelines from above,

Connecting points for fastener driving tools should be fitted with a compressed air servicing unit (filter/water separator/oiler) directly at the junction point.

Oilers must be checked on a daily basis and if necessary topped up with the recommended grade of oil (see TECHNICAL DATA). Where hose lengths of over 10 m are used., the oil supply for the fastener driving tool cannot be guaranteed, We therefore recommend that 2 to 5 drops (depending on the loading of the fastener driving tool) of the recommended oil (see TECHNICAL DATA) should be added via the air inlet of the tool, or an oiler attached directly to the fastener driving tool. (see fig 4)



4 Preparing the tool for use

4.1 Preparing a tool for first time operation

Please Read and observe these Operating Instruction before using the tool. Basic safety measures should always be strictly followed to protect against damage to the equipment and personal injury to the user or other people working in the vicinity of operation.

4.2 Connection to the compressed air system

Ensure that the pressure supplied by the compressed air system does not exceed the maximum allowable pressure of the fastener driving tool. Set the air pressure initially to the lower value of the recommended allowable pressure (see TECHNICAL DATA).

Empty the magazine to prevent a fastener from being ejected at the next stage of work in the event that internal parts of the fastener driving tool are not in the starting position following maintenance and repair work or transportation.

Connect the fastener driving tool to the compressed air supply using suitable pressure hose equipped with quick-action connectors.

Check for proper functioning by applying the muzzle of the fastener driving tool to a piece of wood or wooden material and actuating the trigger once or twice.

4.3 Filling the magazine

Only those fasteners specified under TECHNICAL DATA (see 1.1) may be used

When filling the magazine, hold the tool so that the muzzle is not pointing towards the operator or any other person.

4.4 Handling the tool

Pay attention to **2-Special Reference**-of these operating instructions.

Having checked that the fastener driving tool is functioning correctly, apply the tool to a work piece and actuate the trigger.

Check whether the fastener has been driven into the work piece in accordance with the requirements.

- if the fastener is protruding, increase the air pressure in increments of 0.5 bar, checking the result after each new adjustment;
- if the fastener is driven into an excessive depth reduce the air pressure I increments of 0.5 bar until the result is satisfactory.

You should endeavor in any event to work with the lowest possible air pressure. This will give you three significant advantages;

- 1.energy will be saved,
- 2.less noise will be produced,
- 3.a reduction in fastener driving tool wear will be achieved.

Avoid triggering the fastener driving tool if the magazine is empty.

Any defective or improperly functioning fastener driving tool must immediately be disconnected from the compressed air supply and passed to a specialist for inspection.

In the event of longer breaks in work or at the end of the working shift, disconnect the tool from the compressed air supply and it is recommended to empty the magazine.

The compressed air connectors of the fastener driving tool and the hoses should be protected against contamination, the ingress of coarse dust chips, sand etc, will result in leaks and damage to the fastener driving tool and the couplings.

5. Maintenance

Disconnect the tool from the compressor before adjusting, clearing jams, servicing & maintenance, relocating and during non operation.

Regular lubrication, if your tool without using the in-liner automatic oiler, place 2 or 6 drops of pneumatic tool oil into the air inlet before each work day or after 2 hours of continuous use depending in the characteristic of work piece or type of fasteners.

Air-operated tools must be inspected periodically, and worn or broken parts must be replaced to keep the tool operating safely and efficiently. Check and change all worn or damaged O-ring, Seals, etc. Tight all the screws and caps in case personal injury.

Make regular inspection for free movement of trigger, Spring and safety mechanism to assure safe system is complete and functional: no loose and missing parts, no building or stocking parts.

Keep magazine and nose of tool clean and free of any dirt lint or abrasive particles.

When temperatures are below freezing, tools should be kept warm by any convenient, safe method.

6 Troubleshooting (See Table 1)

SYMPTOM	PROBLEM	SOLUTIONS
Leak near top of tool or in trigger area	<ol style="list-style-type: none"> 1. O-ring in trigger valve is damaged. 2. Trigger valve head are damage. 3. Trigger valve stem, seal or O-ring are damaged. 	<ol style="list-style-type: none"> 1. Check and replace O-ring. 2. Check and replace. 3. Check and replace trigger valve stem, seal or O-ring
Air leak near bottom of tool.	<ol style="list-style-type: none"> 1. Loose screws. 2. Worn or damaged O-rings or bumper. 	<ol style="list-style-type: none"> 1. Tighten screws. 2. Check and replace O-rings or bumper.
Air leak between body and cylinder cap.	<ol style="list-style-type: none"> 1. Loose screws. 2. Worn or damaged O-rings or seals. 	<ol style="list-style-type: none"> 1. Tighten screw. 2. Check and replace O-rings or bumper.
Blade driving fastener too deep.	<ol style="list-style-type: none"> 1. Worn bumper. 2. Air pressure is too high. 	<ol style="list-style-type: none"> 1. Replace bumper. 2. Adjust the air pressure.
Tool does not operate well: can not drive fastener or operate sluggishly.	<ol style="list-style-type: none"> 1. Inadequate air supply. 2. Inadequate lubrication. 3. Worn or damaged O-rings or seals. 4. Exhaust port in cylinder head is blocked. 	<ol style="list-style-type: none"> 1. Verify adequate air supply. 2. Place 2 or 6 drops of oil into air inlet. 3. Check and replace O-rings or seal. 4. Replace damaged internal parts.
Tool skips fasteners.	<ol style="list-style-type: none"> 1. Worn bumper or damaged spring. 2. Dirt in front plate. 3. Dirt or damage prevents fasteners from moving freely in magazine. 4. Worn or dry O-ring on piston or lack of Lubrication. 5. Cylinder covers seal leaking. 	<ol style="list-style-type: none"> 1. Replace bumper or pusher spring. 2. Clean drive channel on front plate. 3. Magazine needs to be cleaned. 4. O-ring needs to be replaced. And lubricate. 5. Replace Sealing washer.
Tool jams.	<ol style="list-style-type: none"> 1. Incorrect or damaged fasteners. 2. Damaged or worn driver guide. 3. Magazine or nose screw loose. 4. Magazine is dirty. 	<ol style="list-style-type: none"> 1. Change and use correct fastener. 2. Check and replace the driver. 3. Tighten the magazine. 4. Clean the magazine.

Table 1

7. Explode Drawing (See Figure 5)

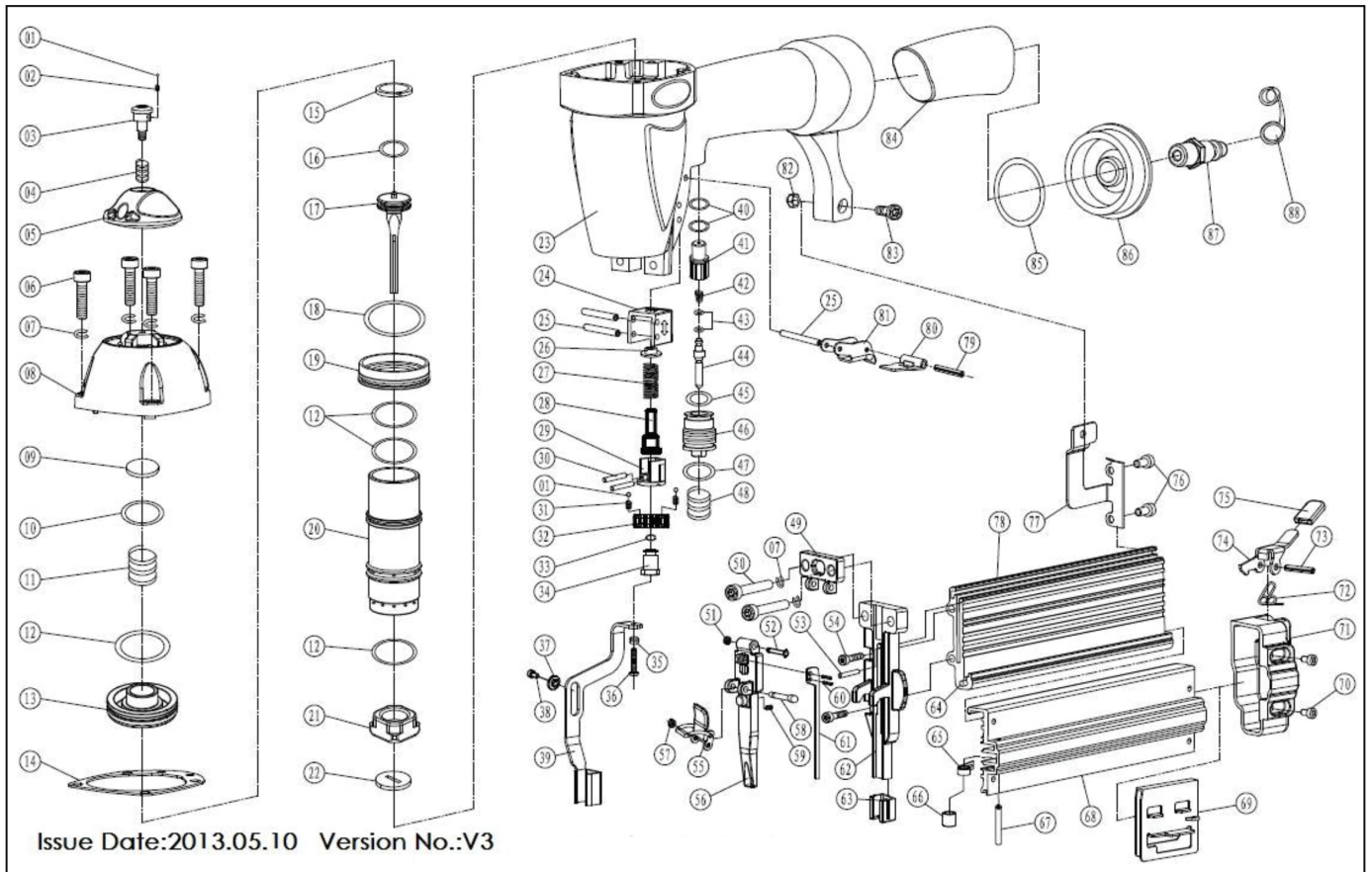


Figure 5

8. Parts list

NO.	K3 Code	Description	Qty.	NO.	K3 Code	Description	Qty.	NO.	K3 Code	Description	Qty.
1	03.04.40.128	Steel Ball(dw=2.5)	3	31	03.04.36.099	Compressed Spring B	2	61	03.04.30.053	Flexible Bar	1
2	03.04.36.098	Spring A	1	32	03.04.23.101-03	Adjustable Nut II	1	62	03.04.08.107	Nose	1
3	03.04.23.047	Air Deflector Bolt	1	33	03.04.05.392	E-ring	1	63	03.04.26.010-02	Safety Piece	1
4	03.04.36.010	Air Deflector Spring	1	34	03.04.15.016	Adjust lever	1	64	03.04.30.012	Steel Bar	1
5	03.04.21.007-04	Air Deflector	1	35	03.04.05.252-02	Flat washer	1	65	03.04.34.040	Spring	1
6	03.04.05.032	Hex Bolt M5*20	4	36	03.04.40.332	Adjustable Nut	1	66	03.04.31.103	Shaft	1
7	03.04.05.263-03	Washer 5	6	37	03.04.29.138	Drive Case	1	67	03.04.05.193	Roll Pin 3*20	1
8	03.04.28.052-08	Cylinder Cover	1	38	03.04.05.003	Hex Bolt M3*8	1	68	03.04.18.045-02	Movable Magazine	1
9	03.04.06.075	Sealing Washer	1	39	03.04.16.107	Safety yoke	1	69	03.04.09.033	Pusher	1
10	03.04.01.089	O-ring 17*2.65	1	40	03.04.01.050	O-ring 7*1.5	2	70	03.04.05.007	Hex Bolt M4*6	2
11	03.04.36.128	Valve Spring	1	41	03.04.29.006	Valve Case	1	71	03.04.12.043	Locating Seat	1
12	03.04.01.134	O-ring 33.6*2	4	42	03.04.34.037	Spring	1	72	03.04.24.018	Torsional Spring	1
13	03.04.39.08.006	Head Valve Kit	1	43	03.04.01.028	O-ring 1.9*1.1	2	73	03.04.05.192	Roll Pin 3*18	1
14	03.04.07.072	Gasket	1	44	03.04.15.051	Trigger Pin	1	74	03.04.10.026	Release Latch	1
15	03.04.35.035	Piston Sealing Ring	1	45	03.04.01.065	O-ring 11.2*1.6	1	75	03.04.29.116-04	Rubber Case	1
16	03.04.01.105	O-ring 23.5*2	1	46	03.04.32.058	Valve Seat	1	76	03.04.05.009	Hex Bolt M4*8	2
17	03.04.39.01.071	Piston assembly	1	47	03.04.01.068	O-ring 11.7*2.4	1	77	03.04.12.105	Fixed Seat	1
18	03.04.01.157	O-ring 41.7*3	1	48	03.04.36.005	Trigger Spring	1	78	03.04.14.090-02	Fixed Magazine	1
19	03.04.19.020	Collar A	1	49	03.04.13.048	Fixed Plate	1	79	03.04.05.654	Pin 3*17.5	1
20	03.04.27.029	Cylinder	1	50	03.04.05.034	Hex Bolt M5*25	2	80	03.04.02.018	Safety Plate	1
21	03.04.06.050	Bumper	1	51	03.04.29.045	Pin Case	1	81	03.04.03.038-01	Trigger II	1
22	03.04.07.020	Drive Guide Washer	1	52	03.04.31.023	Plate Pin	1	82	03.04.05.162-01	Self-lock Bolt M4	1
23	03.04.26.060-12	Gun Body	1	53	03.04.05.173	Roll pin 1*10	2	83	03.04.05.012	Hex Bolt M4*14	1
24	03.04.32.092	Guide Seat	1	54	03.04.23.058	Hex Bolt M4*16	2	84	03.04.29.106-01	Gun Body Handle	1
25	03.04.05.196	Roll Pin 3*26	3	55	03.04.39.06.002-02	Quick release handle	1	85	03.04.01.141	O-ring 36.3*3.55	1
26	03.04.07.097	Adjust Washer	1	56	03.04.13.088	Movable Plate	1	86	03.04.11.033-55	End Cap	1
27	03.04.36.040	Compressed Spring	1	57	03.04.01.030	O-ring 1.9*1.2	1	87		Air Inlet Plug	1
28	03.04.15.015	Push lever	1	58	03.04.31.068-02	Roll Pin	1	88		Air inlet plug case	1
29	03.04.32.015	Adjust Seat	1	59	03.04.36.097	Compressed Spring	1				
30	03.04.05.175	Pin 1.5*8	2	60	03.04.05.178	Roll Pin 2*6	2				

Note: if you need spare parts of this model, pls feel free to contact us or the distributor where you bought this tool. Tks!