

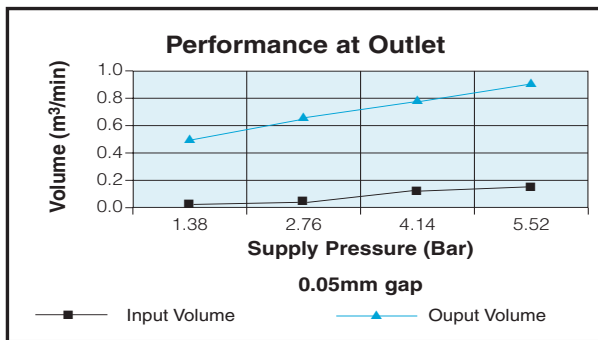
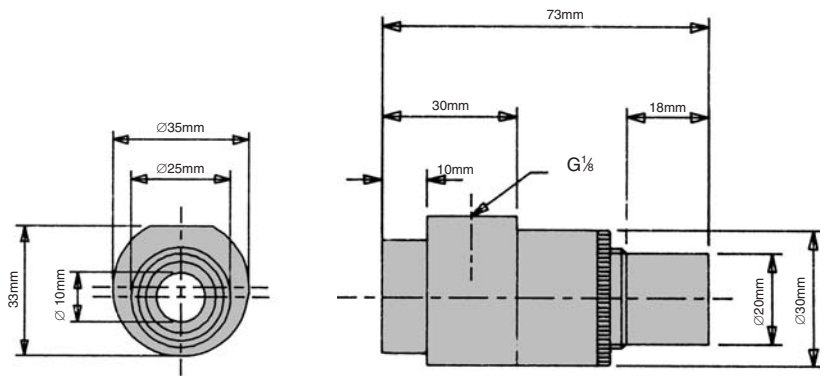
# Adjustable Airmover AM10A



**Material:** Aluminium alloy  
**Weight:** 0.09Kg  
**Standard Gap:** Adjustable  
**dB(A) at:** 5.5 bar is 73  
**Shims:** Not Applicable  
**Standard Inlet Thread:** G 1/8"  
**Options:** 1/8" NPT  
**Please specify on order:** 1/8" NPTF



Bar	Vol in m <sup>3</sup> /min	Vol out m <sup>3</sup> /min
1.38	0.048	0.490
2.76	0.065	0.733
4.14	0.125	0.733
5.52	0.164	0.886



## Aluminium Alloy, BSPP

Part Number	Thread	DBA
BR-AM10A	1/8"	73

### PERFORMANCE DATA – DUCTED

METRIC		Back Pressure (mm water gauge) and guide to equivalent pipe length									
		50mm water gauge		100mm water gauge		150mm water gauge		200mm water gauge		250mm water gauge	
Supply Pressure kg/cm <sup>2</sup>	Vi m <sup>3</sup> /min	Vc m <sup>3</sup> /min	Equiv. Pipe length m	Vo m <sup>3</sup> /min	Equiv. Pipe length m	Vo m <sup>3</sup> /min	Equiv. Pipe length m	Vo m <sup>3</sup> /min	Equiv. Pipe length m	Vo m <sup>3</sup> /min	Equiv. Pipe length m
2	.125	.91	2.0	.59	9	.42	27	.62	18	.74	16
3	.170	1.42	0.8	1.03	3	.85	7	1.05	6	1.22	6
4	.210	1.90	0.4	1.46	2	1.25	3	1.51	3	1.78	3
5	.265	2.55	0.3	1.98	1	1.70	2	2.04	2		
6	.295	3.45	0.2	2.75	0.5	2.18	1				

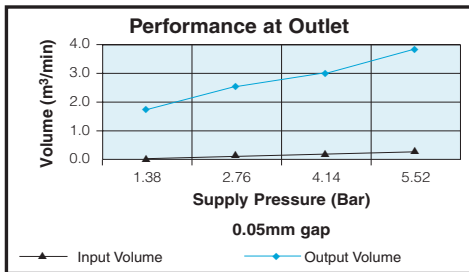
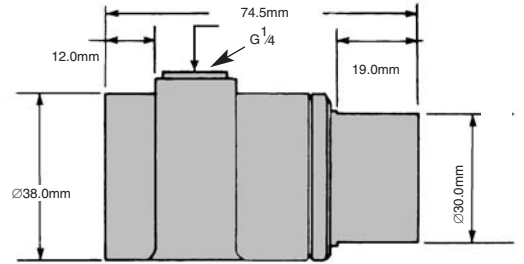
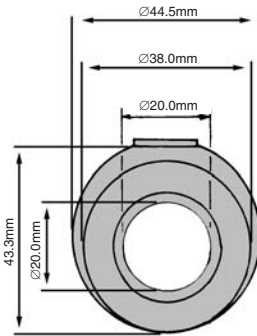
# Adjustable Airmover AM20A



**Material:** Aluminium alloy  
**Weight:** 0.13Kg  
**Standard Gap:** Adjustable  
**dB(A) at:** 5.5 bar is 79  
**Shims:** Not Applicable  
**Standard Inlet Thread:** G 1/4"  
**Options:** 1/4" NPT  
**Please specify on order:** 1/4" NPTF



Bar	Vol in m <sup>3</sup> /min	Vol out m <sup>3</sup> /min
1.38	0.105	1.614
2.76	0.164	2.492
4.14	0.224	3.030
5.52	0.286	3.681



## Aluminium Alloy, BSPP

Part Number	Thread	DBA
BR-AM20A	1/4"	79

## PERFORMANCE DATA – DUCTED

METRIC		Back Pressure (mm water gauge) and guide to equivalent pipe length									
		50mm water gauge		100mm water gauge		150mm water gauge		200mm water gauge		250mm water gauge	
Supply Pressure kg/cm <sup>2</sup>	Vi m <sup>3</sup> /min	Vc m <sup>3</sup> /min	Equiv. Pipe length m	Vo m <sup>3</sup> /min	Equiv. Pipe length m	Vo m <sup>3</sup> /min	Equiv. Pipe length m	Vo m <sup>3</sup> /min	Equiv. Pipe length m	Vo m <sup>3</sup> /min	Equiv. Pipe length m
2	.125	.91	2.0	.59	9	.42	27				
3	.170	1.42	0.8	1.03	3	.85	7	.62	18		
4	.210	1.90	0.4	1.46	2	1.25	3	1.05	6	.74	16
5	.265	2.55	0.3	1.98	1	1.70	2	1.51	3	1.22	6
6	.295	3.45	0.2	2.75	0.5	2.18	1	2.04	2	1.78	3

# Adjustable Airmover AM35A



**Material:** Aluminium alloy

**Weight:** 0.28Kg

**Standard Gap:** Adjustable

**dB(A) at: 5.5 bar is 80**

**Shims:** Not Applicable

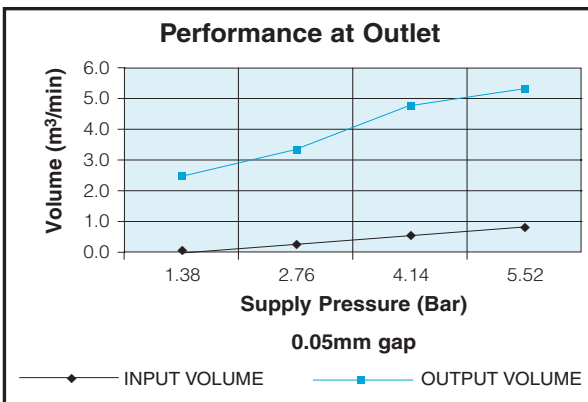
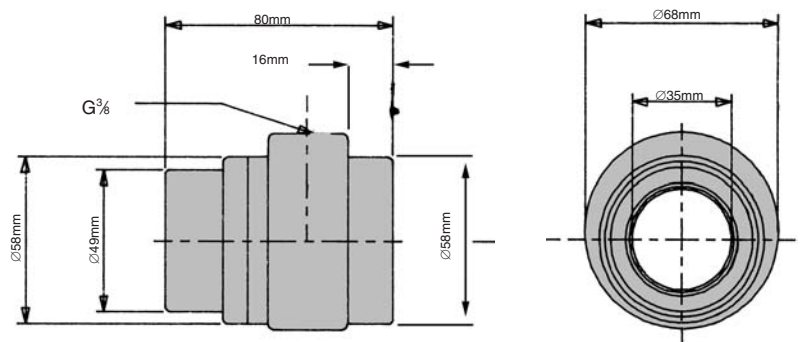
**Standard Inlet Thread:** G 3/8"

**Options:** 3/8" NPT

**Please specify on order:** 3/8" NPTF



Bar	Vol in m <sup>3</sup> /min	Vol out m <sup>3</sup> /min
1.38	0.193	2.350
2.76	0.326	3.361
4.14	0.484	4.621
5.52	0.631	5.207



## Aluminium Alloy, BSPP

Part Number	Thread	DBA
BR-AM35A	3/8"	80

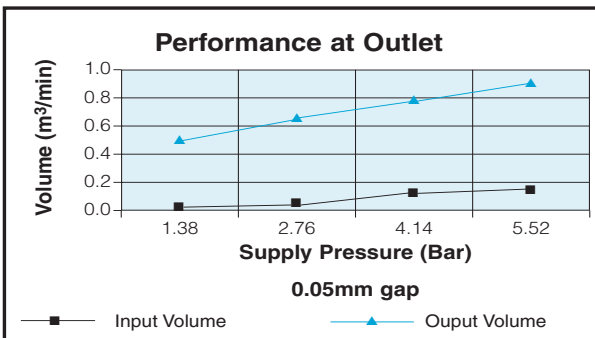
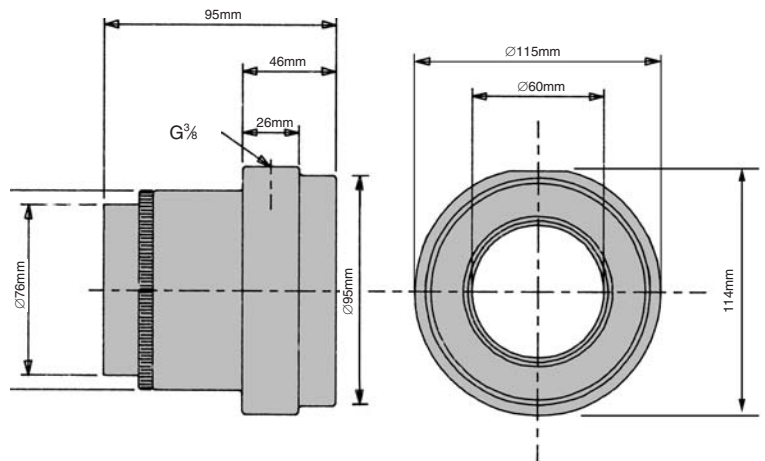
# Adjustable Airmover AM60A



- Material:** Aluminium alloy
- Weight:** 0.83Kg
- Standard Gap:** Adjustable
- dB(A) at:** 5.5 bar is 80
- Shims:** Not Applicable
- Standard Inlet Thread:** G 3/8"
- Options:** 3/8" NPT
- Please specify on order:** 3/8" NPTF



Bar	Vol in m <sup>3</sup> /min	Vol out m <sup>3</sup> /min
1.38	0.280	4.171
2.76	0.476	7.561
4.14	0.654	9.231
5.52	0.841	11.327



## Aluminium Alloy, BSPP

Part Number	Thread	DBA
BR-AM60A	3/8"	80

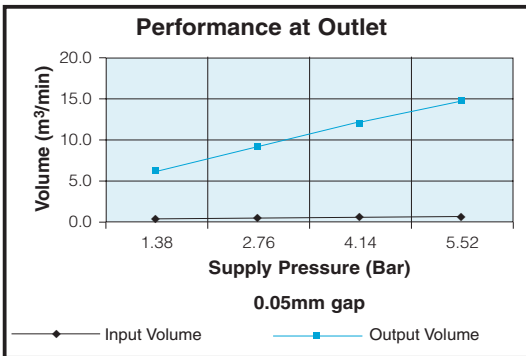
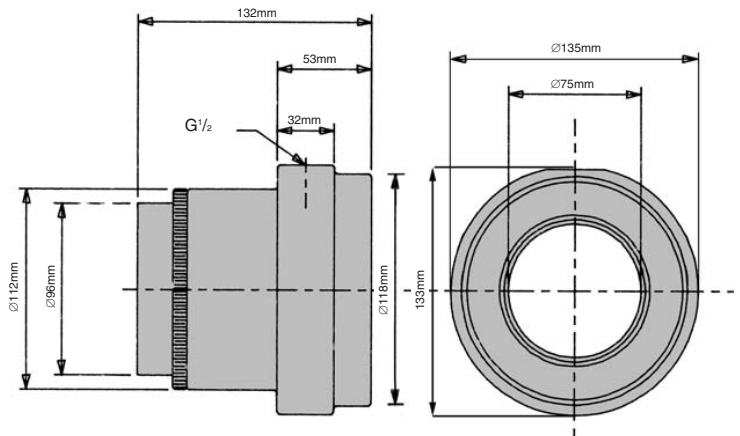
# Adjustable Airmover AM75A



**Material:** Aluminium alloy  
**Weight:** 1.5Kg  
**Standard Gap:** Adjustable  
**dB(A) at: 5.5 bar** is 80  
**Shims:** Not Applicable  
**Standard Inlet Thread:** G 1/2"  
**Options:** 1/2" NPT  
**Please specify on order:** 1/2" NPTF



Bar	Vol in m <sup>3</sup> /min	Vol out m <sup>3</sup> /min
1.38	0.425	6.230
2.76	0.651	9.203
4.14	0.906	12.035
5.52	1.133	14.866



## Aluminium Alloy, BSPP

Part Number	Thread	DBA
BR-AM75A	1/2"	80