

# Pipe Clips



## P-clips, 12.7mm Band, M6 Fixing Hole

We offer 4 groups of P Clips in our range:

1. Pinco works standard
2. DIN 3016
3. Nylon adjustable
4. Non standard

### Pinco works standard

P clips are used extensively in many industries for securing pipes, hoses and cables. The snug fitting EPDM liner enables the clips to clamp the pipes, hoses and cables firmly without any possibility of chafing or damage to the surface of the component being clamped, and of course they can be supplied without liner.



The liner also absorbs vibration and prevents water penetration into the clamping area, with the added advantage of accommodating size variations due to temperature changes. EPDM is chosen for its resistance to oils, greases and wide temperature tolerances.

The P Clip band has a special strengthening rib which keeps the clip flush to the bolted surface.

The fixings holes are pierced to accept a standard M6 bolt, with the lower hole being elongated to allow for any adjustment that may be necessary when lining up the fixing holes.

Our P Clips are manufactured onsite giving us the flexibility of offering larger sizes, different fixings holes/bandwidths and unlined versions to order.

U.K. manufacture

Materials
W1 Mild steel CR3 zinc plated
W5 Stainless steel AISI 316

Specification	
Bandwidth	12.7mm (1/2")
Liner	EPDM
Fixing hole	M6

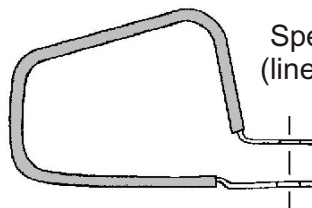
### Non catalogued variations



Hanging strap  
(lined or unlined)



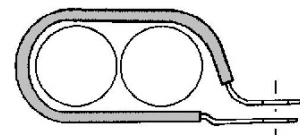
Heavier specials  
(lined or unlined)



Special shapes  
(lined or unlined)



Double/triple pipe  
(lined or unlined)

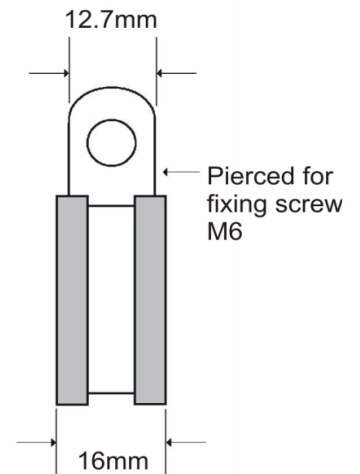


# Pipe Clips



Mild Steel zinc plated			
PART NUMBER	D (mm)	t (mm)	BOX QTY
A980045	4-5	0.7	100
A980060	6		
A980080	8		
A980090	9		
A980100	10		
A980110	11		
A980120	12		
A980130	13		
A980140	14		
A980150	15		
A980160	16		
A980180	18		
A980190	19		
A980200	20		
A980210	21		
A980220	22		
A980230	23		
A980240	24		
A980250	25		
A980270	27		
A980290	29		
A980300	30		
A980320	32		
A980330	33		
A980350	35		
A980380	38		
A980400	40		
A980420	42		
A980440	44		
A980470	47		
A980480	48		
A980500	50		
A980530	53		
A980540	54		
A980550	55		
A980600	60		
A980640	64		
A980700	70		

Mild Steel zinc plated			
PART NUMBER	D (mm)	t (mm)	BOX QTY
D980050	5	0.7	100
D980060	6		
D980080	8		
D980090	9		
D980100	10		
D980120	12		
D980130	13		
D980140	14		
D980160	16		
D980180	18		
D980200	20		
D980210	21		
D980220	22		
D980250	25		
D980280	28		
D980300	30		
D980320	32		
D980340	34		
D980380	38		
D980400	40		
D980440	44		
D980480	48		
D980500	50		
D980520	52		
D980550	55		
D980560	56		
D980570	57		
D980600	60		
D980660	66		
D980700	70		
D980800	80		
D981000	100		
D981100	110		
D981700	170		



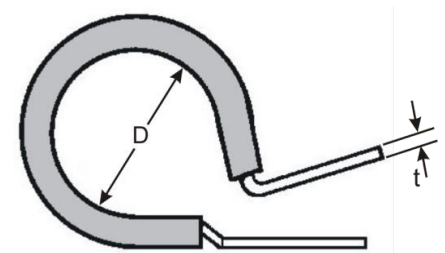
**Notes:**

Clips marked with size e.g P64

Assortments available

DIN 3016 P Clips available from stock

For larger or intermediate sizes please contact us for further information.



D: when closed