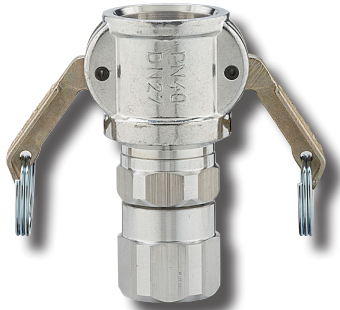


# Mortar Hose Couplings & Plugs



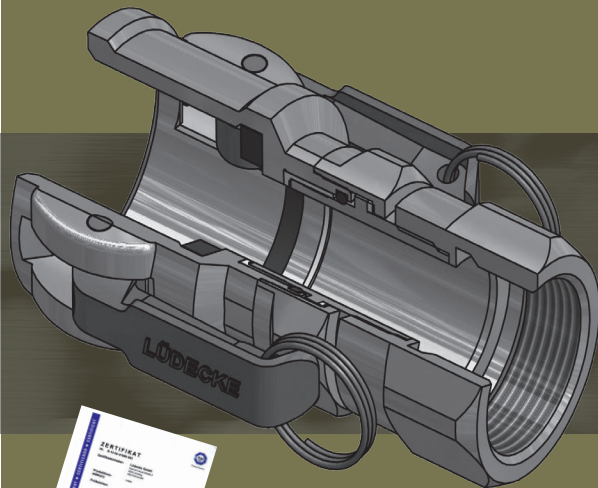
The cam-arm principle of the Mortar Coupling is similar to Kamlok Couplings, but both are not interchangeable.

Asymmetrical female and male parts made of malleable iron or steel are locked by two handles. Please note the two different systems used in the market!

At a working pressure of 50 bar exact hose assembly with precisely machined hose stems is absolutely necessary. For safety reasons we recommend to use hydraulic crimping ferrules.

To ease daily work one part of the coupling system should be a swivelling type to avoid hose twist of the rigid mortar hoses

## Mortar Couplings Mortar Plugs



Max. working pressure 50 bar  
TÜV-inspected

Machined, exactly to hose adapted stem profile for crimping or steel band

Maximum bore for maximum free flow capacity

All common systems from 3/4" to 2 1/2" with all kinds of connections available

Material: Malleable iron resp. steel, surface zinc plated and yellow passivated (free of chrome VI)

Note different dimensional systems 22 and 23,5

Robust malleable iron handles with pin and ring

### Content

- 57 Mortar Couplings – of Aluminium
- 57 Mortar Couplings - System "Mai"
- 58 Standard Mortar Couplings of malleable iron / steel
- 60 Standard Mortar Plugs of malleable iron / steel
- 62 Mortar Hose Couplings and Plugs for hydraulic crimping



# Mortar Couplings of Aluminium

## Type Size X25, rigid and swivelling



- Mainly used directly at the spraying nozzle, 60 % weight reduction compared with steel execution, therefore essentially easier application
- Swivelling execution three parts, lead in teflon slide, therefore extremely robust and tight
- Swivelling principle avoids hose twist of the rigid mortar hoses for much easier application

Max. Working Pressure	Material	Medium	Mat. Seal	Thread	System	
PN 40 bar	Aluminium	mortar / Concrete	Perbunan/Teflon	ISO 228	X25 (22)	1

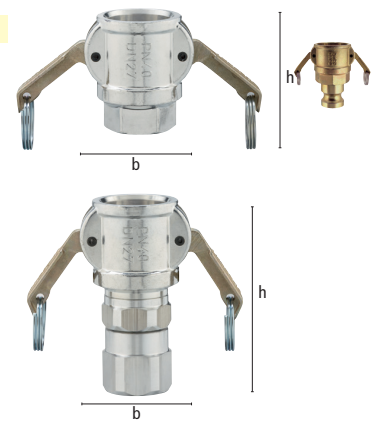
### Coupling with female thread

Thread	b	h	System	Type-Size	Ident-Size	Weight/pc. g	Type No.
G 1"	70	72	rigid	X25	42	290	MIG 10-X25 A
G 1"	70	120	swivelling	X25	42	405	MIG 10-X25 ADR

swivelling

\*Rubber rings Type No. MDR-X25 and handles Type No. MNH-630 (© catalogue page 59)

\*Female thread sealing ring material polyurethane



# Mortar Couplings

## interchangeable with system "Mai"



Max. Working Pressure	Material	Medium	Mat. Seal	Threads	
PN 50 bar	mall. iron / steel	mortar / concrete	Perbunan	ISO 228	1

### Coupling with female thread and 1 handle

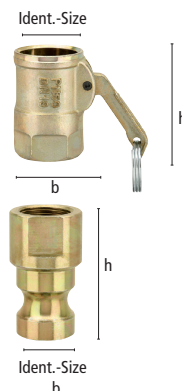
Thread	h	b	Ident-Size	Weight/pc. g	Type No.
G 1"	70	55	38	375	MIG 10-MA

Rubber rings, type no. EDR-100-BU (© catalogue page 72)

### Plug with female thread

Thread	h	b	Ident-Size	Weight/pc. g	Type No.
G 1"	80	46	37.5	405	VIG 10-MA

For hose connection use screwing stems for steel band (© catalogue page 61) or crimping Ferrules (© catalogue page 63)



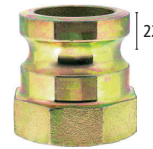
# Standard-Mortar Couplings of malleable iron / steel, rigid and swivelling



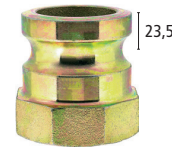
- Swivelling execution three parts, lead in teflon slide, extremely robust and tight
- Avoids hose twist of the rigid mortar hoses for much easier application



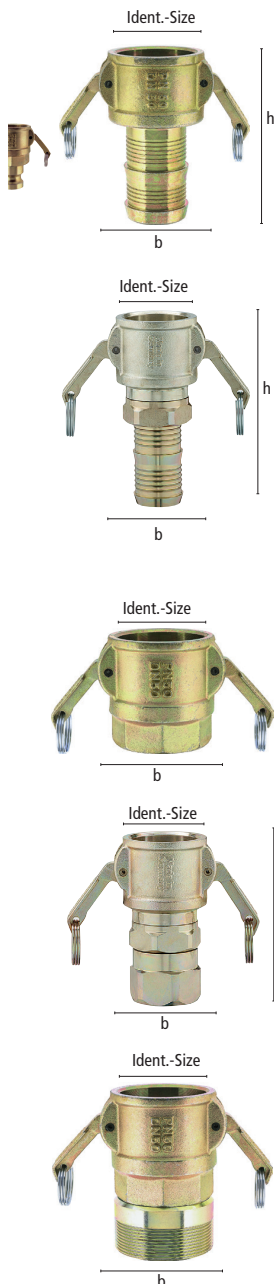
- Couplings of malleable iron / steel, zinc plated and yellow passivated (free of chrome VI)
- Turned stem profile for perfect fit of the hose (On request according to drawing or hose sample)
- TÜV-inspected
- Attention: Only same type-size and same system interchangeable!
- For mortar and concrete lines on pumps, spraying-devices, plastering machines a.o.
- Other swivelling types on request!



System 22  
(for all type-sizes)



System 23.5  
(only type-sizes 35 and 50!)



Max. Working Pressure	Material	Medium	Mat. Seal	Threads	TÜV-Inspected	
PN 50 bar	malleable iron / steel	mortar / concrete	Perbunan	ISO 228	all types	1

System 22		System 23.5	
<b>Couplings with hose stem (full passage)</b>			

Hose i.D.	b	h	Type-Size	Ident.-Size	Weight/pc. g	Type No.	Type No.
25 mm	55	120	25	35.5	477	MST 25**	same dimension
25 mm	74	138	X25	42	778	MST-X25	same dimension
35 mm	77	132	35	51	795	MST 35	MST 35-N
35 mm	77	152	35	51	970	MST 35-DR	MST 35-N-DR
38 mm	77	146	35	51	903	MST 38/35	MST 38/35-N
42 mm	84	144	42	54	960	MST 42	same dimension
50 mm	94	140	50	64	1195	MST 50	MST 50-N
65 mm	105	185	65	74	2172	MST 65*	same dimension

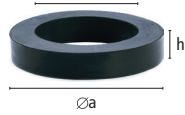
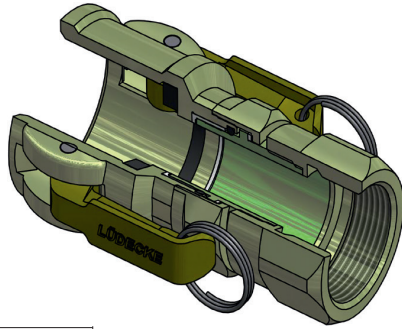
<b>Couplings with hose stem (reduced passage)</b>							
Hose i.D.	b	h	Type-Size	Ident.-Size	Weight/pc. g	Type No.	Type No.
19 mm	55	122	25	35.5	512	MST 25/19 R**	same dimension
19 mm	74	125	X25	42	760	MST-X25/19 R	same dimension
25 mm	77	138	35	51	783	MST 35/25 R	MST 35/25 R-N
35 mm	94	160	50	64	1495	MST 50/35 R	MST 50/35 R-N
42 mm	94	160	50	64	1510	MST 50/42 R	MST 50/42 R-N

<b>Couplings with female thread</b>							
Thread	b	h	Type-Size	Ident.-Size	Weight/pc. g	Type No.	Type No.
G 1"	55	70	25	35.5	652	MIG 10/25**	same dimension
G 1"	74	73.5	X25	42	652	MIG 10-X25	same dimension
G 1"	77	74	35	51	770	MIG 10/35	MIG 10/35-N
G 1 1/4"	77	74	35	51	648	MIG 54/35	MIG 54/35-N
G 1 1/4"	77	125	35	51	1170	MIG 54/35-DR	MIG 54/35-N-DR
G 1 1/2"	77	74	35	51	766	MIG 15/35	MIG 15/35-N
G 1 1/2"	84	66	42	54	730	MIG 15/42	same dimension
G 2"	94	79	50	64	990	MIG 20/50	MIG 20/50-N
G 2"	94	135	50	64	1550	MIG 20/50-DR	MIG 20/50-N-DR
G 2 1/2"	105	81	65	74	1027	MIG 25/65*	same dimension

<b>Couplings with male thread</b>							
Thread	b	h	Type-Size	Ident.-Size	Weight/pc. g	Type No.	Type No.
G 1"	55	91	25	35.5	485	MAG 10/25**	same dimension
G 1"	74	90	X25	42	735	MAG 10-X25	same dimension
G 1 1/4"	77	93	35	51	793	MAG 54/35	MAG 54/35-N
G 1 1/2"	84	98	42	54	935	MAG 15/42	same dimension
G 2"	94	113	50	64	1420	MAG 20/50	MAG 20/50-N
G 2 1/2"	94	119	50	64	1620	MAG 25/50	MAG 25/50-N

\* max. working pressure for type-size 65 PN 25 bar      \*\* type-size 25 with one handle

# Mortar Couplings



Seals of Perbunan  
55° Shore A



Handle with safety-ring and  
slotted pin of steel

Suitable spare parts  
(Packing Unit: 10 pcs.)

Øa	Øi	h	Type No.	Euro	Type No.
36	24.5	6	MDR 25	0.36	MNH-628
43.5	28.5	6	MDR-X25	0.47	MNH-630
53.5	36.5	6	MDR 35	0.47	MNH-628
53.5	36.5	6	MDR 35	0.47	MNH-628
53.5	36.5	6	MDR 35	0.47	MNH-628
55	41	6.5	MDR 42	0.62	MNH-628
67	51	6	MDR 50	0.57	MNH-636
76	61	6.3	MDR 65	1.49	MNH-636

Øa	Øi	h	Type No.	Euro	Type No.
36	24.5	6	MDR 25	0.36	MNH-628
43.5	28.5	6	MDR-X25	0.47	MNH-630
53.5	36.5	6	MDR 35	0.47	MNH-628
67	51	6	MDR 50	0.57	MNH-636
67	51	6	MDR 50	0.57	MNH-636

Øa	Øi	h	Type No.	Euro	Type No.
36	24.5	6	MDR 25	0.36	MNH-628
43.5	28.5	6	MDR-X25	0.47	MNH-630
53.5	36.5	6	MDR 35	0.47	MNH-628
53.5	36.5	6	MDR 35	0.47	MNH-628
53.5	36.5	6	MDR 35	0.47	MNH-628
55	41	6.5	MDR 42	0.62	MNH-628
67	51	6	MDR 50	0.57	MNH-636
67	51	6	MDR 50	0.57	MNH-636
76	61	6.3	MDR 65	1.49	MNH-636

Øa	Øi	h	Type No.	Euro	Type No.
36	24.5	6	MDR 25	0.36	MNH-628
43.5	28.5	6	MDR-X25	0.47	MNH-630
53.5	36.5	6	MDR 35	0.47	MNH-628
55	41	6.5	MDR 42	0.62	MNH-628
67	51	6	MDR 50	0.57	MNH-636
67	51	6	MDR 50	0.57	MNH-636

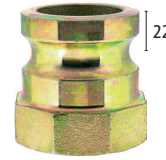


# Standard-Mortar Plugs

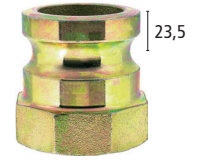
## of malleable iron / steel, rigid and swivelling



- Plugs of malleable iron / steel, zinc plated and yellow passivated (free of chrome VI)
- Turned stem profile for perfect fit of the hose (On request according to drawing or hose sample)
- TÜV-inspected
- Attention: Only same type-size and same system interchangeable!
- For mortar and concrete lines on pumps, spraying-devices, plastering machines a.o.

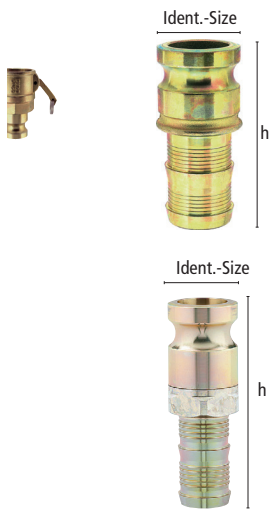


System 22  
(for all type-sizes)



System 23.5  
(only type-sizes 35 and 50!)

Max. Working Pressure	Material	Medium	Threads	TÜV-Inspected	
PN 50 bar	malleable iron / steel	mortar / concrete	ISO 228	all types	1



					System 22	System 23.5
Plugs with hose stem (full passage)						
Hose i.D.	Type-Size	h	Ident.-Size	Weight/pc. g	Type No.	Type No.
25 mm	25	110	35	270	VST 25	same dimension
25 mm	X25	120	41	385	VST-X25	same dimension
swivelling 25 mm	X25	125	41	420	VST-X25-DR	same dimension
35 mm	35	120	49.5	515	VST 35	VST 35-N
swivelling 35 mm	35	146	49.5	740	VST 35-DR	VST 35-N-DR
38 mm	35	120	49.5	470	VST 38/35	VST 38/35-N
42 mm	42	120	53	450	VST 42	same dimension
50 mm	50	140	63	925	VST 50	VST 50-N
swivelling 50 mm	50	170	63	1230	VST 50-DR	VST 50-DR-N
65 mm	65	156	73	1352	VST 65*	same dimension

Plugs with hose stem (reduced passage)						
Hose i.D.	Type-Size	h	Ident.-Size	Weight/pc. g	Type No.	Type No.
19 mm	X25	100	41	325	VST-X25/19 R	same dimension
25 mm	35	115	49.5	545	VST 35/25 R	VST 35/25 R-N
35 mm	50	121	63	830	VST 50/35 R	VST 50/35 R-N
42 mm	50	121	63	757	VST 50/42 R	VST 50/42 R-N

Plugs with female thread							
Thread	Hexagon	Type-Size	h	Ident.-Size	Weight/pc. g	Type No.	Type No.
G 1"	41	25	67	35	280	VIG 10/25	same dimension
G 1"	41	X25	67	41	345	VIG 10-X25	same dimension
swivelling G 1"	41	X25	106	41	610	VIG 10-X25-DR	same dimension
G 1 1/4"	50	X25	67	41	386	VIG 54-X25	same dimension
G 1"	50	35	63	49.5	521	VIG 10/35	VIG 10/35-N
swivelling G 1 1/4"	50	35	68	49.5	461	VIG 54/35	VIG 54/35-N
G 1 1/4"	50	35	120	49.5	840	VIG 54/35-DR	VIG 54/35-DR-N
G 1 1/2"	55	35	68	49.5	453	VIG 15/35	VIG 15/35-N
G 2"	70	35	74	49.5	665	VIG 20/35	VIG 20/35-N
G 1 1/2"	55	42	62	53	420	VIG 15/42	same dimension
G 1 1/4"	65	50	64	63	820	VIG 54/50	VIG 54/50-N
G 1 1/2"	65	50	64	63	678	VIG 15/50	VIG 15/50-N
G 2"	70	50	71	63	620	VIG 20/50	VIG 20/50-N
swivelling G 2"	70	50	130	63	1040	VIG 20/50-DR	VIG 20/50-DR-N
G 2 1/2"	85	50	78	63	960	VIG 25/50	VIG 25/50-N
G 2 1/2"	85	65	78	73	999	VIG 25/65*	same dimension

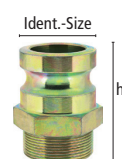
\*max. working pressure for type-size 65 PN 25 bar  
Other swivelling types on request



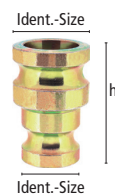
# Mortar Plugs

- Swivelling execution three parts, lead in teflon slide, extremely robust and tight
- Avoids hose twist of the rigid mortar hoses for much easier application

						System 22	System 23.5
Plugs with male thread							
Thread	Hexagon	Type-Size	h	Ident.-Size	Weight/pc. g	Type No.	Type No.
G 1"	41	25	76	35	356	VAG 10/25	same dimension
G 1"	41	X25	76	41	382	VAG 10-X25	same dimension
G 1 1/4"	50	35	83	49.5	527	VAG 54/35	VAG 54/35-N
G 1 1/2"	55	42	77	53	525	VAG 15/42	same dimension
G 2"	65	50	90	63	950	VAG 20/50	VAG 20/50-N



Plugs on both sides – system-reducing plug							
Type-Size	with Ident.-Size	to Type-Size	with Ident.-Size	h	Weight/pc. g	Type No.	Type No.
X25	41	25	35	90	448	VR X25/25	same dimension
35	49.5	25	35	97	654	VR 35/25	VR 35-N/25
35	49.5	X25	41	100	690	VR 35/X25	VR 35-N/X25
42	53	X25	41	90	620	VR 42/X25	same dimension
42	53	35	49.5	90	650	VR 42/35	VR 42/35-N
50	63	X25	41	100	955	VR 50/X25	VR 50-N/X25
50	63	35	49.5	100	955	VR 50/35	VR 50-N/35-N
50	63	42	53	95	983	VR 50/42	VR 50-N/42

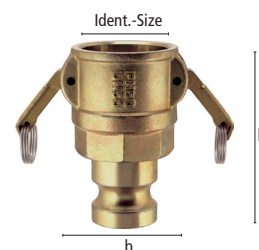


## Screwing stems for female thread couplings and plugs

Hose i.D.	Male Thread	h	Weight/pc. g	Type No.
19 mm	G 1"	70	106	MST-X25/19 T
25 mm	G 1"	83.5	128	MST-X25 T
35 mm	G 1 1/4"	91	236	MST 35 T
38 mm	G 1 1/4"	91	210	MST 38/35 T
35 mm	G 2"	107	506	MST 50/35 T
42 mm	G 1 1/2"	97	259	MST 42 T
42 mm	G 2"	106	428	MST 50/42 T
50 mm	G 2"	110	510	MST 50 T
65 mm	G 2 1/2"	130	1145	MST 65 T*



Couplings with plug – system-reducing-adaptors									
Type-Size	with Ident.-Size	Type-Size	with Ident.-Size	b	h	g	Type No.	Type No.	
X25	42	25	35.5	74	132	993	MSA-X25/25	same dimension	
35	51	X25	42	77	133	1154	MSA 35/X25	MSA 35-N/X25	
42	54	35	51	84	135	1270	MSA 42/35	MSA 42/35-N	
50	64	35	51	94	133	1580	MSA 50/35	MSA 50-N/35-N	
50	64	42	54	94	133	1585	MSA 50/42	MSA 50-N/42	



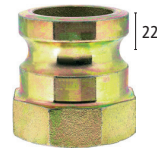
Handles and seals as spare parts (© catalogue page 59)

# Mortar Hose Couplings and Plugs

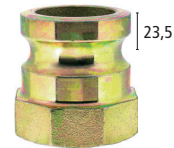
of malleable iron / steel for hydraulic hose crimping, rigid and swivelling



- For hydraulic crimping with turned steel ferrules
- Safe, closed and unremovable connection of hose and fitting
- Couplings and Plugs of malleable iron / steel, zinc plated and yellow passivated (free of chrome VI)
- Turned stem profile for exact fit of the hose
- Stem-profiles, ferrules and crimping dimensions for special hoses on request according to drawings or hose samples

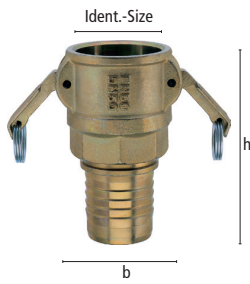


System 22  
(for all type-sizes)



System 23.5  
(only type-sizes 35 and 50!)

Max. Working Pressure	Material	Medium	Mat. Seal	Crimping Dimensions	TÜV-Inspected	
PN 50 bar	malleable iron / steel	mortar / concrete	Perbunan	on request	all types	1



								System 22	System 23.5
<b>Couplings with hose stem (full passage)</b>									
For Hose	Type-Size	b	Ident.-Size	h	Suit. Ferrule	Weight/pc. g	Type No.	Type No.	
25 x 7 mm	25	55	35.5	125	PH-X25	540	MSTP 25*	same dimension	
25 x 7 mm	X25	74	42	128	PH-X25	780	MSTP-X25	same dimension	
35 x 7 mm	35	77	51	135	PH-35	910	MSTP 35	MSTP 35-N	
38 x 7 mm	35	77	51	135	PH-38	910	MSTP 38/35	MSTP 38/35-N	
42 x 7 mm	42	84	54	127	PH-42	974	MSTP 42	same dimension	
50 x 9 mm	50	94	64	145	PH-50	1480	MSTP 50	MSTP 50-N	

<b>Couplings with hose stem (reduced passage)</b>									
For Hose	Type-Size	b	Ident.-Size	h	Suit. Ferrule	Weight/pc. g	Type No.	Type No.	
19 x 6 mm	X25	74	42	125	PH-19	780	MSTP-X25/19 R	same dimension	
25 x 7 mm	35	77	51	129	PH-X25	870	MSTP 35/25 R	MSTP 35/25 R-N	
35 x 7 mm	50	94	64	140	PH-35	1480	MSTP 50/35 R	MSTP 50/35 R-N	

<b>Plugs with hose stem (full passage)</b>									
For Hose	Type-Size	Ident.-Size	h	Suit. Ferrule	Weight/pc. g	Type No.	Type No.		
25 x 7 mm	25	35,5	100	PH-X25	305	VSTP 25	same dimension		
25 x 7 mm	X25	41	104	PH-X25	339	VSTP-X25	same dimension		
25 x 7 mm	X25	41	115	PH-X25 DR	380	VSTP-X25-DR	same dimension		
35 x 7 mm	35	49,5	107	PH-35	522	VSTP 35	VSTP 35-N		
35 x 7 mm	35	49,5	135	PH-35 DR	740	VSTP 35-DR	VSTP 35-N-DR		
38 x 7 mm	35	49,5	107	PH-38	472	VSTP 38/35	VSTP 38/35-N		
42 x 7 mm	42	54	106	PH-42	475	VSTP 42	same dimension		
50 x 9 mm	50	63	113	PH-50	758	VSTP 50	VSTP 50-N		
50 x 9 mm	50	63	145	PH-50 DR	1020	VSTP 50-DR	VSTP 50-N-DR		



<b>Plugs with hose stem (reduced passage)</b>									
For Hose	Type-Size	Ident.-Size	h	Suit. Ferrule	Weight/pc. g	Type No.	Type No.		
19 x 6 mm	25	35.5	95	PH-19	238	VSTP 25/19 R	same dimension		
19 x 6 mm	X25	41	100	PH-19	345	VSTP-X25/19 R	same dimension		
25 x 7 mm	35	49.5	102	PH-X25	490	VSTP 35/25 R	VSTP 35/25 R-N		
35 x 7 mm	50	63	107	PH-35	820	VSTP 50/35 R	VSTP 50/35 R-N		
42 x 7 mm	50	63	108	PH-42	741	VSTP 50/42 R	VSTP 50/42 R-N		



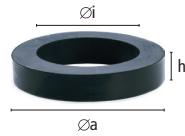
Other swivelling types on request

\* type-size 25 with one handle



# Mortar Hose Couplings and Plugs

- Swivelling execution three parts, lead in teflon slide, extremely robust and tight
- Avoids hose twist of the rigid mortar hoses for much easier application



Seals of Perbunan  
55° Shore A



Handle with safety-ring and  
slotted pin of steel

Suitable spare parts  
(packing Unit: 10 pcs.)

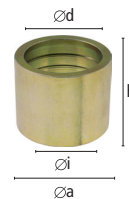
Øa	Øi	h	Type No.	Euro	Type No.
36	24.5	6	MDR 25	0.36	MNH-628
43.5	28.5	6	MDR-X25	0.47	MNH-630
53.5	36.5	6	MDR 35	0.47	MNH-628
53.5	36.5	6	MDR 35	0.47	MNH-628
55	41	6.5	MDR 42	0.62	MNH-628
67	51	6	MDR 50	0.57	MNH-636



Øa	Øi	h	Type No.	Euro	Type No.
43.5	28.5	6	MDR-X25	0.47	MNH-630
53.5	36.5	6	MDR 35	0.47	MNH-628
67	51	6	MDR 50	0.57	MNH-636

## Crimping Ferrules of turned steel for hydraulic crimping (inner profile exactly suitable to hose stem profile)

For Hose	Type-Size	h	Øi	Øa	Weight/pc. g	Type No.
19 x 6 mm	19/25	40	31,5	24,5	38	PH-19
25 x 7 mm	X25	50	41	33	50	PH-X25
25 x 7 mm	X25	50	41	31,3	50	PH-X25 DR
35 x 7 mm	35	55	49	42,5	58	PH-35
35 x 7 mm	35	55	49	41	58	PH-35 DR
38 x 7 mm	35	55	53	45,5	61	PH-38
42 x 7 mm	42	55	56	50,5	65	PH-42
50 x 9 mm	50	60	68,5	59,5	75	PH-50
50 x 9 mm	50	60	68,5	57	75	PH-50 DR



## Screwing Stems for hydraulic crimping

For Hose	Male Thread	Suitable Ferrule	b	h	Weight/pc. g	Type No.
19 x 6 mm	G 1"	PH-19	24	69.5	125	MSTP-X25/19 T
25 x 7 mm	G 1"	PH-X25	32.5	73.5	120	MSTP-X25 T
35 x 7 mm	G 1 1/4"	PH-35	42	80	218	MSTP-35 T
38 x 7 mm	G 1 1/4"	PH-38	45	80	223	MSTP-38/35 T
35 x 7 mm	G 2"	PH-35	42	86	526	MSTP-50/35 T
42 x 7 mm	G 1 1/2"	PH-42	50	80	246	MSTP-42 T
42 x 7 mm	G 2"	PH-42	50	87	452	MSTP-50/42 T
50 x 9 mm	G 2"	PH-50	59	91	497	MSTP-50 T

