

## BRAKE VALVE/ISO 5676

VALVOLA FRENI  
BRAKE VALVE  
BREMSVENTIL  
VALVE FREINAGE

### Caratteristiche tecniche

- Norma: ISO 5676
- Occlusione: faccia piana
- Aggancio: sfere radiali
- Materiale: acciaio
- Finitura: Zn-Fe (Cr III)
- Filettature: BSP - SAE - METRICHE
- Guarnizioni standard: NBR
- Temperatura d'esercizio: -25 °C +100 °C
- Guarnizioni opzionali: FKM, EPDM o altro
- Pressioni di esercizio: 150 bar
- Connessione in pressione: non consentita

Nominal size				Max working pressure	Rated flow	Max flow rate	Min burst pressure			Fluid spillage
DNP	BG	ISO	mm				Male	Female	Coupled	
13	3	12.5	8	15 MPa	24 l/min	48 l/min	90 MPa	62 MPa	93 MPa	0,05 cc

1 MPa = 145,04 psi • 1 l = 0,264 gal

### Technical data

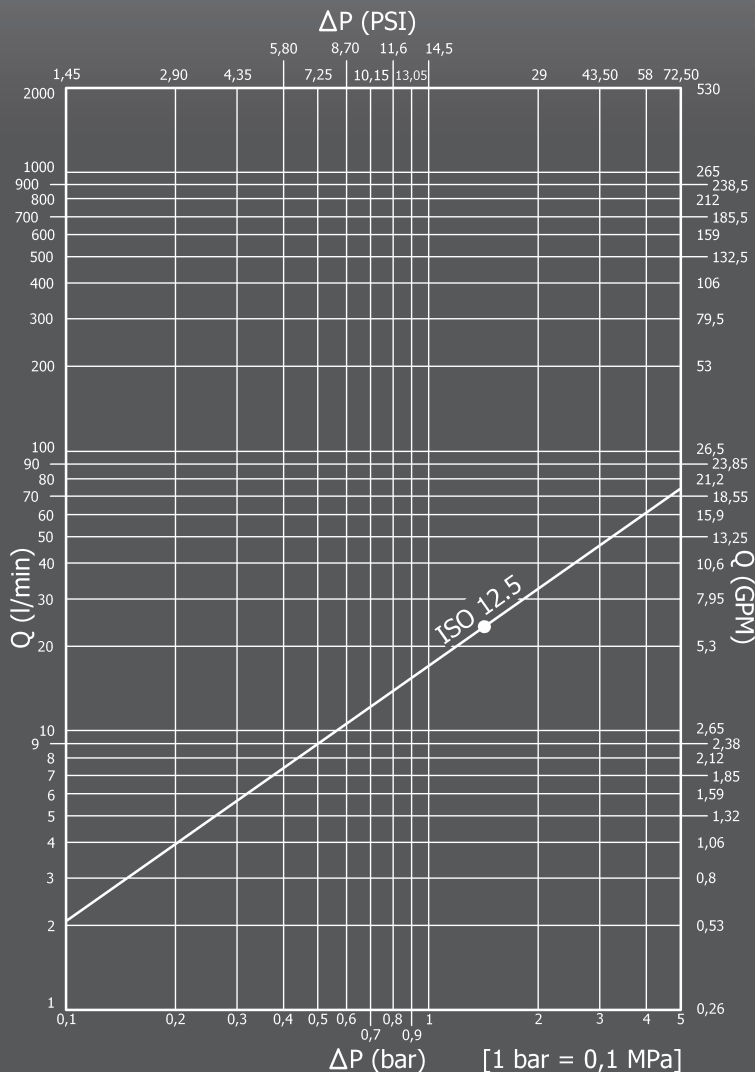
- Standard: ISO 5676
- Occlusion: flat face
- Locking: radial balls
- Material: steel
- Finishing: Zn-Fe (Cr III)
- Threads: BSP - SAE - METRICS
- Standard seals: NBR
- Working temperature: -25 °C +100 °C
- Optional seals: FKM, EPDM or more
- Working pressure: 150 bar
- Connection under pressure: not allowed

### Technische Merkmale

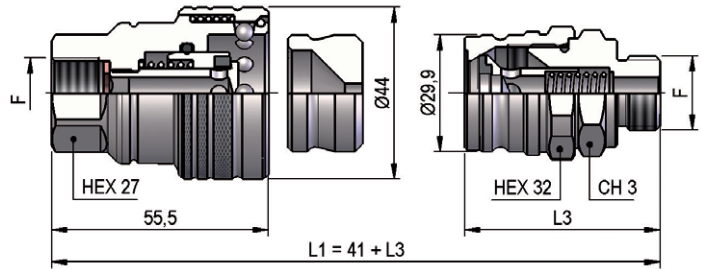
- Norm: ISO 5676
- Verschluss: flachdichtend
- Kupplung: Radialkugeln
- Werkstoff: Stahl
- Ausführung: Zn-Fe (Cr III)
- Gewinde: BSP - SAE - METRISCHE
- Standard-Dichtungen: NBR
- Betriebstemperatur: -25 °C +100 °C
- Dichtungen nach Wahl: FKM, EPDM, usw.
- Betriebsdruck: 150 bar
- Kuppeln unter Druck: nicht möglich

### Caracteristiques techniques

- Norme: ISO 5676
- Obturation: clapet plat
- Accrochage: billes radiales
- Matériel: acier
- Traitement: Zn-Fe (Cr III)
- Taraudage: BSP - SAE - METRIQUES
- Joints standard: NBR
- Température de service: -25 °C +100 °C
- Joints facultatifs: FKM, EPDM, ect.
- Pression de service: 150 bar
- Connexion sous pression: pas possible

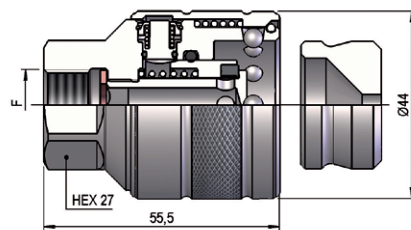


### PFT DN13 - BG 3 - ISO 12.5



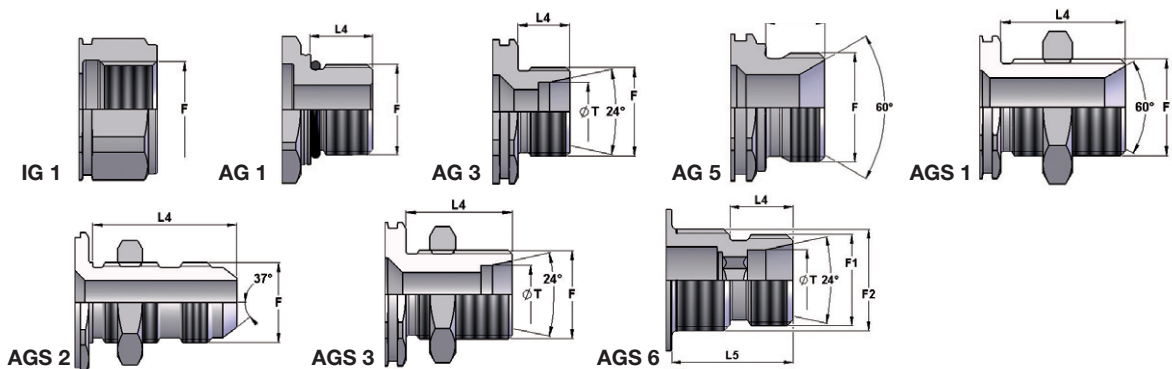
THREADS	CH3	L3	L4	L5	ØT	F1	F2	F	STANDARD	FEMMINA - FEMALE - MUFFE - FEMELLE			MASCIO - MALE - STECKER - MALE		
										COD. F	Weight (g)	Pack. (pcs.)	COD. M	Weight (g)	Pack. (pcs.)
IG 1								BSP 3/8"	DIN 3852-2-X	PFT1.1310.002	398	36			
	28	57						BSP 1/2"	DIN 3852-2-X	PFT1.1313.002	389	36	PFT3.1313.113	211	50
								M18x1,5	ISO 6149-1	PFT1.1318.102	402	36			
AG 5		48	15,5					BSP 1/2"	DIN 3852-2-A				PFT3.1313.213	153	50
AGS 3		49	21		12L			M18x1,5	ISO 8434-1-L				PFT3.1318.503	142	50
		58	30		12L			M18x1,5	ISO 8434-1-L				PFT3.1318.523	162	50
		51	23		Ø13,4			M20x1,5	-				PFT3.1320.503	154	50
		41	23		15L			M22x1,5	ISO 8434-1-L				PFT3.1322.503	172	50
		32	82	28		15L		M22x1,5	ISO 8434-1-L				PFT3.1322.623	357	50
		63	35		15L			M22x1,5	ISO 8434-1-L				PFT3.1322.603	198	50
AGS 6		52,5	12,5	24,5	10	M16x1,5	M20x1,5	-	-				PFT3.1336.503	152	50
		52	12,5	24	12	M18x1,5	M20x1,5	-	-				PFT3.1338.503	152	50
AG 1	28	50	11					3/4"-16 UNF	SAE J 1926-2				PFT3.1319.223	131	50
AG 3	32	55	12		12L			M18x1,5	ISO 8434-1-L				PFT3.1318.303	287	50
	32	65	12		15L			M22x1,5	ISO 8434-1-L				PFT3.1322.303	293	50
AGS 1		65	37					M22x1,5	DIN 3863-U				PFT3.1322.613	205	50
AGS 2	28	89,5	16,7					3/4"-16 UNF	SAE J 514				PFT3.1319.503	296	50
	32	94	40					7/8"-14 UNF	SAE J 514				PFT3.1378.603	365	50

### PFTB DN13 - BG 3 - ISO 12.5



THREADS	F	STANDARD	FEMMINA - FEMALE - MUFFE - FEMELLE		
			COD. F	Weight (g)	Pack. (pcs.)
IG 1	BSP 3/8"	DIN 3852-2-X	PFTB.1310.002	373	36
	BSP 1/2"	DIN 3852-2-X	PFTB.1313.002	365	36

THREADS



**PLASTIC - METAL CAPS**

NOMINAL SIZE			FEMALE DUST PLUG	MALE DUST CAP	Dimensions			Weight	COLOUR	MATERIAL
DNP	BG	ISO	COD. F	Weight (g)	COD. M	D	L	D1	(g)	
13	3	12.5	PFT.013.993*	68	-	-	-	-	-	Steel
13	3	12.5	-	-	SPFT.13053	37	135	29,5	7	● Polyethylene

\*NORMALMENTE FORNITO CON LA FEMMINA - SUPPLIED STANDARD WITH THE FEMALE - WIRD MIT DER MUFFE GELIEFERT - FOURNI EN STANDARD AVEC COUPLEUR

