

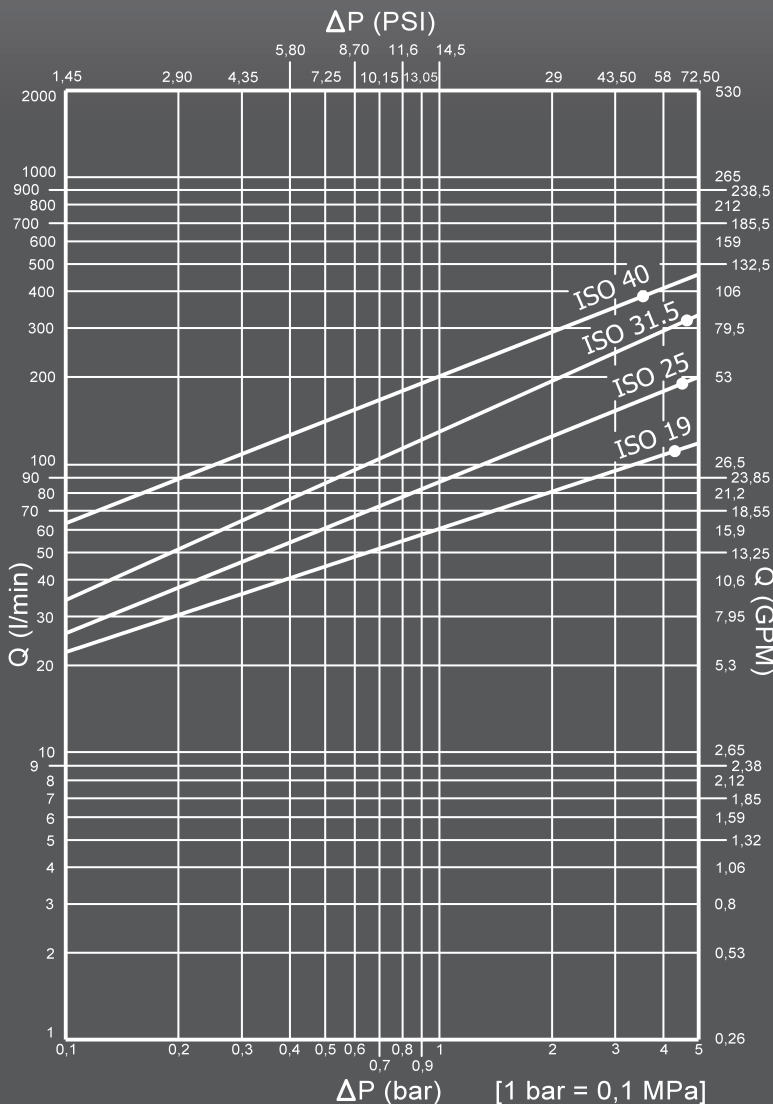
SCREW/WING NUT
GHIERA A FARFALLA/OTTONE
WING NUT/BRASS
FLÜGELMUTTERHÜLSE/MESSING
ECROU PAPILLON/LAITON

Caratteristiche tecniche

- Intercambiabilità: Snap-Tite 78
- Occlusione: faccia piana
- Aggancio: a vite
- Materiale: ottone e acciaio
- Finitura acciaio: Zn-Fe (Cr III)
- Filettature: NPT
- Guarnizioni standard: NBR
- Temperatura d'esercizio: -25 °C +100 °C
- Guarnizioni opzionali: FKM, EPDM o altro
- Pressioni di esercizio: 170-210 bar
- Connessione in pressione: non consigliata

Nominal size				Max working pressure	Rated flow	Max flow rate	Min burst pressure			Fluid spillage
							Male	Female	Coupled	
DNP	BG	ISO	mm	MPa	l/min	l/min	MPa	MPa	MPa	cc
20	4	19	11.7	21	106	220	58	46	116	0,15
25	5	25	15.7	21	190	260	72	37	88	0,40
30	6	31.5	22.7	19	260	400	57	43	52	0,65
39	7	40	26.2	17	380	600	35	43	50	0,85

1 MPa = 145,04 psi • 1 l = 0,264 gal



Technical data

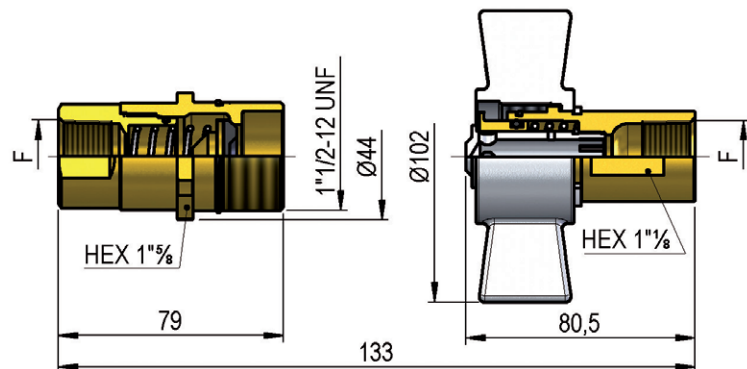
- Interchange: Snap-Tite 78
- Occlusion: flat face
- Locking: screw
- Material: brass and steel
- Steel finishing: Zn-Fe (Cr III)
- Threads: NPT
- Standard seals: NBR
- Working temperature: -25 °C +100 °C
- Optional seals: FKM, EPDM or more
- Working pressure: 170-210 bar
- Connection under pressure: not suggested

Technische Merkmale

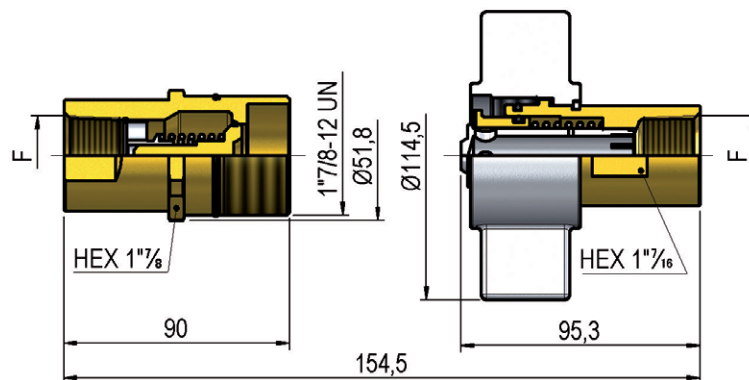
- Austauschbarkeit: Snap-Tite 78
- Verschluss: flachdichtend
- Kupplung: Schraubweise
- Werkstoff: Messing und Stahl
- Stahl Ausführung: Zn-Fe (Cr III)
- Gewinde: NPT
- Standard-Dichtungen: NBR
- Betriebstemperatur: -25 °C +100 °C
- Dichtungen nach Wahl: FKM, EPDM, usw.
- Betriebsdruck: 170-210 bar
- Kuppeln unter Druck: nicht empfohlen

Caracteristiques techniques

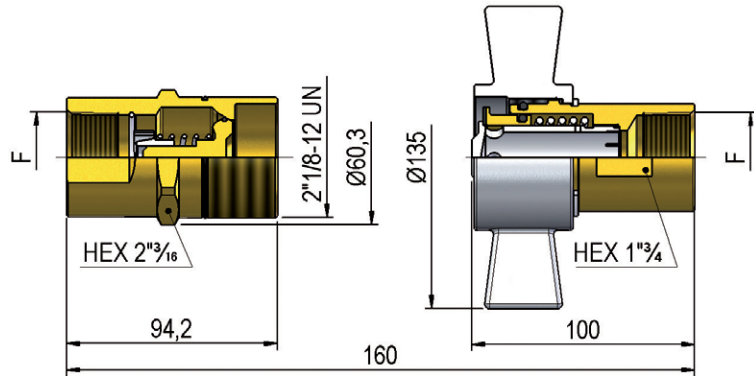
- Interchangeabilité: Snap-Tite 78
- Obturation: clapet plat
- Accrochage: a vissé
- Matériel: laiton et acier
- Traitement acier: Zn-Fe (Cr III)
- Taraudage: NPT
- Joints standard: NBR
- Température de service: -25 °C +100 °C
- Joints facultatifs: FKM, EPDM, ect.
- Pression de service: 170-210 bar
- Connexion sous pression: non conseillée

VFF1 DN20 - BG 4 - ISO 19


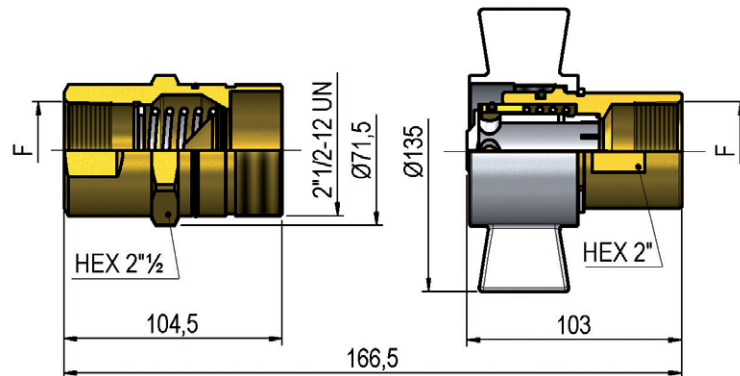
F	STANDARD	FEMMINA - FEMALE - MUFFE - FEMELLE			MASCHIO - MALE - STECKER - MALE		
		COD. F	Weight (g)	Packaging (pcs.)	COD. M	Weight (g)	Packaging (pcs.)
NPT 1/2"	ANSI B1.20.3	VFF1.2013.012	430	33	VFF1.2013.013	635	16
NPT 3/4"	ANSI B1.20.3	VFF1.2019.012	395	33	VFF1.2019.013	602	16

VFF1 DN25 - BG 5 - ISO 25


F	STANDARD	FEMMINA - FEMALE - MUFFE - FEMELLE			MASCHIO - MALE - STECKER - MALE		
		COD. F	Weight (g)	Packaging (pcs.)	COD. M	Weight (g)	Packaging (pcs.)
NPT 1"	ANSI B1.20.3	VFF1.2525.012	633	21	VFF1.2525.013	1040	12

VFF1 DN30 - BG 6 - ISO 31.5


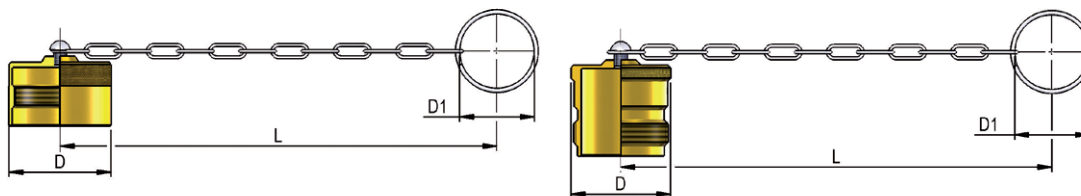
F	STANDARD	FEMMINA - FEMALE - MUFFE - FEMELLE			MASCHIO - MALE - STECKER - MALE		
		COD. F	Weight (g)	Packaging (pcs.)	COD. M	Weight (g)	Packaging (pcs.)
NPT 1"¼	ANSI B1.20.3	VFF1.3031.012	765	18	VFF1.3031.013	1255	9

VFF1 DN39 - BG 7 - ISO 40


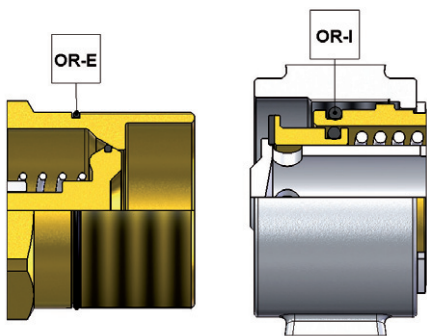
F	STANDARD	FEMMINA - FEMALE - MUFFE - FEMELLE			MASCHIO - MALE - STECKER - MALE		
		COD. F	Weight (g)	Packaging (pcs.)	COD. M	Weight (g)	Packaging (pcs.)
NPT 1"½	ANSI B1.20.3	VFF1.3939.012	1160	8	VFF1.3939.013	1550	8

METAL CAPS

NOMINAL SIZE			FEMALE DUST PLUG				MALE DUST CAP				MATERIAL		
DNP	BG	ISO	COD. F	Dimensions			Weight	COD. M	Dimensions			Weight	
				D	L	D1	(g)		D	L	D1	(g)	
20	4	19	SVFF.20402	41	210	30	73	SVFF.20403	40	210	30	107	Brass
25	5	25	SVFF.25402	53	270	41	147	SVFF.25403	48	270	41	185	Brass
30	6	31.5	SVFF.30402	62	280	48	243	SVFF.30403	56	280	48	248	Brass
39	7	40	SVFF.39402	69	280	48	287	SVFF.39403	63	280	48	367	Brass



SPARE PARTS



NOMINAL SIZE			FEMALE GASKET	MALE GASKET
DNP	BG	ISO	OR-E (NBR*)	OR-I (NBR*)
20	4	19	VFF.019.121	VFF.019.120
25	5	25	VFF.025.121	VFF.025.120
30	6	31.5	VFF.030.121	VFF.030.120
39	7	40	VFF.039.121	VFF.039.120

* AL CODICE DELLA GUARNIZIONE IN NBR AGGIUNGERE 'E' PER EPDM O 'V' PER VITON
 TO THE NBR GASKET CODE ADD 'E' FOR EPDM OR 'V' FOR VITON
 ZU DER ARTIKELNR. DER NBR DICHTUNG GEBEN SIE 'E' FUER EPDM ODER 'V' FUER VITON AN
 AU CODE DU JOINT EN NBR JOINDRE 'E' POUR EPDM OU 'V' POUR VITON