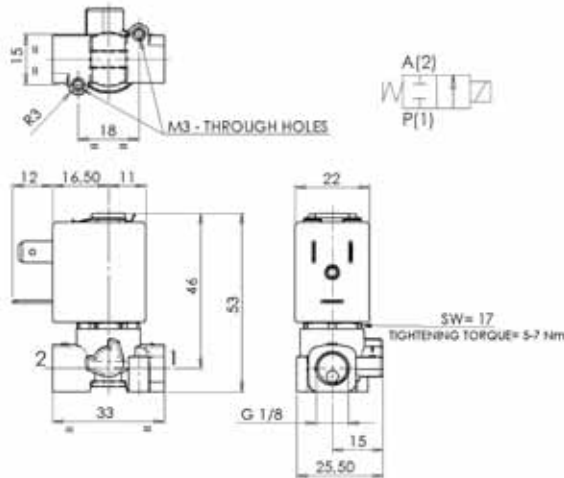




SOLENOID VALVE
2/2- NC (Normally closed)
 Direct acting
G 1/8

L172

STAINLESS STEEL



► **GENERAL FEATURES**

Direct acting solenoid valve.
 Available also integrated on manifold (2+10 actuators), see the technical data sheet L672.
 Suitable to shut off liquid and gaseous fluids (verify the compatibility of fluid with material in contact).

► **TECHNICAL FEATURES**

Maximum allowable pressure (PS)	50bar
Opening time	~10ms
Closing time	~10ms
Fluid temperature	-10°C +130°C
Max viscosity	5°E (~37 cStokes o mm ² /s)

► **MATERIALS IN CONTACT WITH FLUID**

Body	Stainless steel AISI 316
Sealing	FPM
Internal components	Stainless steel
Seat	Stainless steel AISI 316
Core tube	Stainless steel
Shading coil	Copper

► **COIL**

According to standards

Encapsulation material

Insulation class

Ambient temperature

Continuous duty

Electric connection

Protection degree

Voltages DC
AC

	ZB12A	ZB14A
According to standards	UL and CSA	UL and CSA
Encapsulation material	PET (polyethylene-terephthalate) fiberglass reinforced	PET (polyethylene-terephthalate) fiberglass reinforced
Insulation class	F (155°C)	H (180°C)
Ambient temperature	-10°C +60°C	-10°C +75°C
Continuous duty	ED 100%	
Electric connection	DIN 46340- 3 poles plug connector	
Protection degree	IP 67 (EN 60529) with plug connector	
Voltages DC	12-24V (+10% -5%)	
Voltages AC	24V/50-60Hz - 115V/50Hz - 230V/50-60Hz (+10% -15%)	
	(Other voltages and frequencies on request).	

Port size ISO 228	Orifice size (mm)	Differential pressure (bar)				Kv (m ³ /h)	Series and type		Power absorption				Sealings	Notes	Weight (kg)
		Δp min	Δp max		Valve		Coil	AC (VA)			DC				
			Gases	Liquids				Inrush VA	Holding VA	W					
G1/8	1,2	0	28	20	28	20	L172V07	ZB12A	12	6	4	5,5	FPM	1	0,145
	1,6		20	12	20	12									
	2		15	6	15	6									
	2,4		12	4	12	4									

► **NOTES**

- Sealings: FPM = Fluoro-carbon elastomer
- On request:
 - version with manual override: L172V05
 - sealings in EPDM (Ethylene-propylene elastomer): L172D07
 - coil in class H (ZB14A - see § "COIL")
 - WRAS approved version (PSmax=12bar): L172Q07
 - grease/oil free versions

1 - ZB12 and ZB14 coils fitted with sealing gaskets underneath and on the upper part (see sectional view on the back)

0604/0610

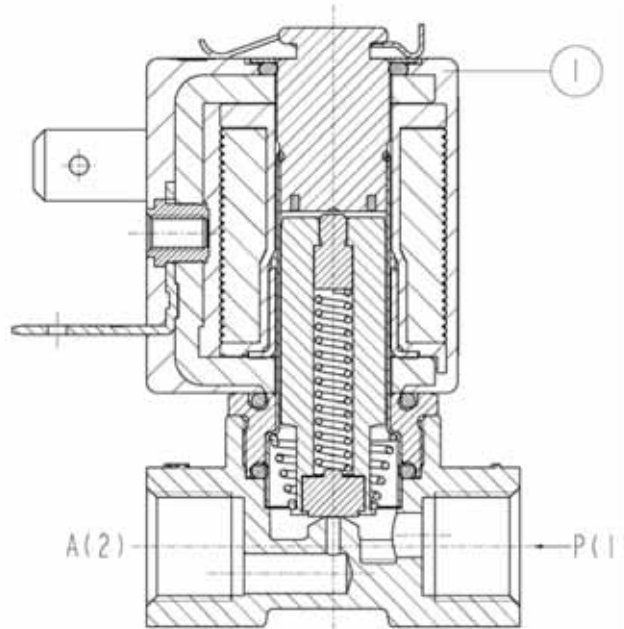
Zoedale Plc Stannard Way, Priory Business Park, Bedford MK44 3WG - T+44(0)1234 832832 - F+44(0)1234 832800

NON STANDARD

L172

STAINLESS STEEL

► SPARE PARTS



NON STANDARD

Kit description

Coil

Kit P.N.

ZB12A
ZB14A

Consisting of:

Coil pos.1

► INSTALLATION

- Solenoid valve can be mounted in any position; vertical with coil upwards preferred.

THE VALIDITY OF REPORTED DATA IS REFERRED TO THE DATE OF ISSUE. POSSIBLE UPDATING ARE AVAILABLE ON REQUEST.