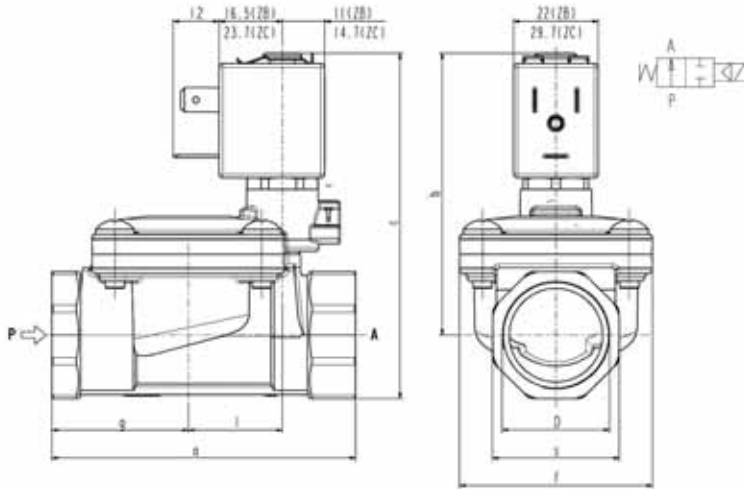




**SOLENOID VALVE**  
**2/2- NO (Normally open)**  
 Pilot operated  
**G3/8 + G1**

**L282**

**STAINLESS STEEL**



D	a	b	c	f	g	h	s
G 3/8	60	67	78	40	25,5	20	22
G 1/2	66	69	83	40	29	20	27
G 3/4	79	73,5	90	50	35,5	24,5	33
G 1	105	86	107	71	46	28	42

**► GENERAL FEATURES**

Diaphragm valve, pilot operated, having full orifice.  
 Suitable to shut off liquid and gaseous fluids (verify the compatibility of fluid with material in contact).

**► TECHNICAL FEATURES**

Maximum allowable pressure (PS)	20bar
Opening time	from -300ms to -1500ms
Closing time	from -1000ms to -2000ms
Fluid temperature	-10°C +90°C (NBR) 0°C +130°C (FPM)
Max viscosity	5°E (-37 cStokes o mm <sup>2</sup> /s)

**► MATERIALS IN CONTACT WITH FLUID**

Body	Stainless steel AISI 316L
Sealing	NBR or FPM
Internal components	Stainless steel
Seat	Stainless steel AISI 316L
Core tube	Stainless steel
Shading coil	Copper

**► COIL**

Approval	UL and CSA ▲
Encapsulation material	PET fiberglass reinforced
Insulation class	F (155°C) H (180°C)
Ambient temperature	-10°C +60°C -10°C +75°C
Continuous duty	ED 100%
Electric connection	DIN46340 - 3 poles plug connector (EN 75301-803 for ZC)
Protection degree	IP 67 (EN 60529) with plug connector
Voltages	DC AC

ZB12A ZC12A	ZB14A ZC14A
UL and CSA ▲	
PET fiberglass reinforced	
F (155°C)	H (180°C)
-10°C +60°C	-10°C +75°C
ED 100%	
DIN46340 - 3 poles plug connector (EN 75301-803 for ZC)	
IP 67 (EN 60529) with plug connector	
ZC: 12-24V (+10% -5%)	
ZB: 24V/50-60Hz - 115V/50Hz - 230V/50-60Hz (+10% -15%)	
(Other voltages and frequencies on request)	

▲ : approvals valid for ZB12A – ZB14A only

Port size ISO 228	Orifice size (mm)	Δp min	Differential pressure (bar)				Kv (m <sup>3</sup> /h)	Series and type		Power absorption AC (VA)				Sealings	Notes	Weight (kg)							
			Δp max					Valve	Coil	AC (VA)			iC										
			Gas		Liquid					Inrush VA	Holding VA	W					W						
3/8	13,5	0,35	12	-	12	-	2,5	ZB12A	12	6	4	-	NBR FPM	-	0,30								
																10	10	5	2,5	ZC12A	-	-	5,5
12	12		12	3,8	ZB12A	-	-																
																10	10	10	5	ZC12A	-	-	5,5
1	24		12	-	12	-	12																
																10	10	10	12	ZB12A	-	-	-

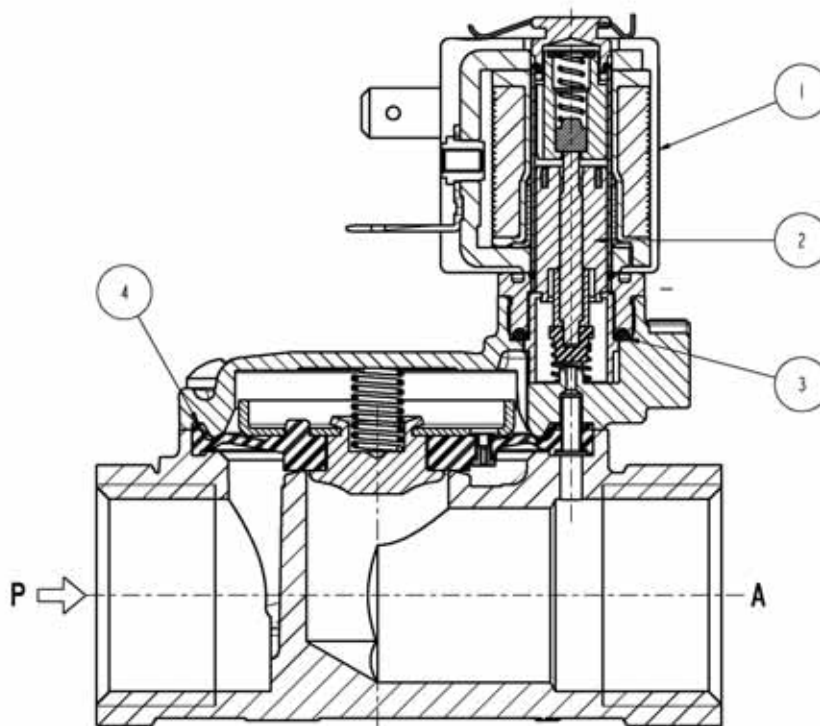
**► NOTES**

- Sealings: NBR = Nitrile-butylene elastomer FPM = Fluoro-carbon elastomer
- Operation with gaseous media, at high pressure without any outlet restriction, can reduce the diaphragm life.
- On request coil in class H (ZB14A – ZC14A – see § "COIL")

# L282

STAINLESS STEEL

## ► SPARE PARTS



### Kit description

Actuator kit

### Kit P.N.

G3141901

### Consisting of:

Actuator kit pos.2  
O-Ring guide assembly pos. 3

Diaphragm assembly

L282B	G3/8-1/2	298593-003R
	G3/4	298594-003R
	G1	298592-003R
L282V	G3/8-1/2	298593-001R
	G3/4	298594-001R
	G1	298592-001R

Diaphragm assembly pos.4

Coil

ZB  
ZC

Coil pos.1

## ► INSTALLATION

- Solenoid valve can be mounted in any position; vertical with coil upwards preferred.

THE VALIDITY OF REPORTED DATA IS REFERRED TO THE DATE OF ISSUE. POSSIBLE UPDATING ARE AVAILABLE ON REQUEST.