

# MANUAL & MECHANICAL VALVES



## Installation & Application Data

- 1) Before installing, be sure the valve hasn't been damaged in transit.
- 2) Use clean air filtered to  $40\mu\text{m}$ . Be aware of the flow direction & port size.
- 3) Please note whether the installation conditions meet the technical requirements (such as actuation frequency, working pressure & temperature) before installing the valve.
- 4) Notice the flow direction of air during installation, P is the air input, A (B) is the outlet port and R (S) is the exhaust port.
- 5) Avoid freezing temperature and vibration.
- 6) Before using fittings and tube make sure they are clean.

# MANUAL 4/2 & 4/3 WAY VALVES LEVER/LEVER LEVER/LEVER/LEVER

## Specification

Model	DKHV210-06-S DKHV230-C-06-S	DKHV310-08-S DKHV330-C-08-S	DKHV410-15-S DKHV430-C-15-S	DKHV410-20-S DKHV430-C-20-S
Fluid	Air (to be filtered by 40 $\mu$ m filter element)			
Operating	Manual Control Direct Acting			
Port	1/8"	1/4"	1/2"	3/4"
Orifice	14.0mm <sup>2</sup> (Cv=0.78)	30.0mm <sup>2</sup> (Cv=1.67)	88.0mm <sup>2</sup> (Cv=4.89)	95.0mm <sup>2</sup> (Cv=5.27)
Valve Type	4/2 & 4/3			
Lubrication	Not required			
Pressure Range	0-1.0MPa (0-145psi)			
Proof Pressure	1.5MPa (215psi)			
Temperature	-20 to +70°C			



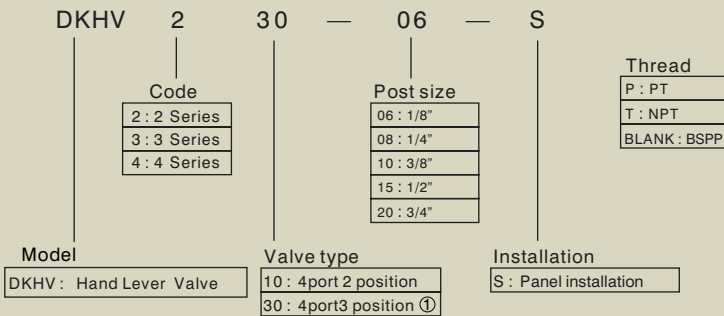
## Product Features

The directions change is smooth and exact.

Large porting area leads to minimum pressure loss.

Optional panel or body mounting.

## Ordering Code

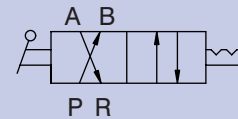


① 4 port 3 position only has closed center type.

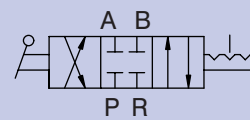
The panel installation can be attached with installing nut.

## Symbols

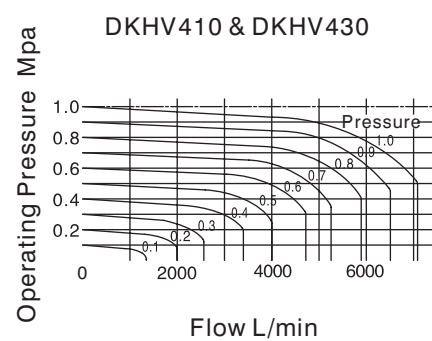
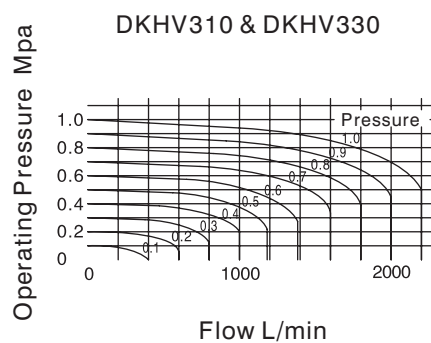
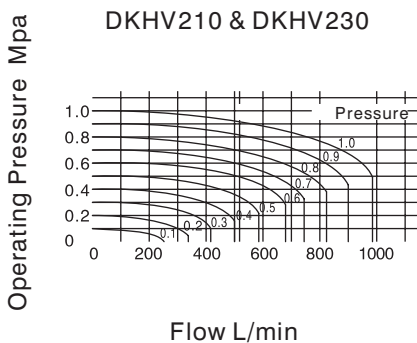
Lever/Lever



Lever/Lever/Lever

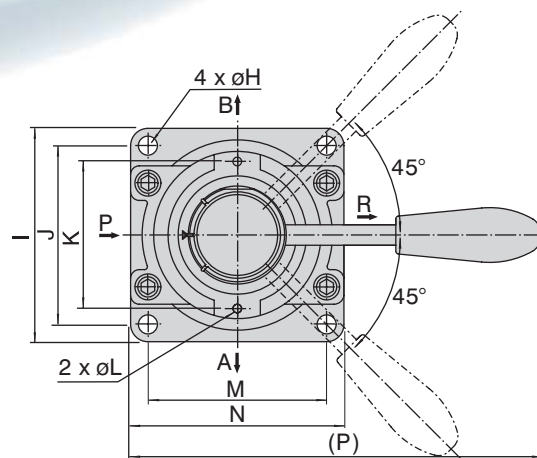
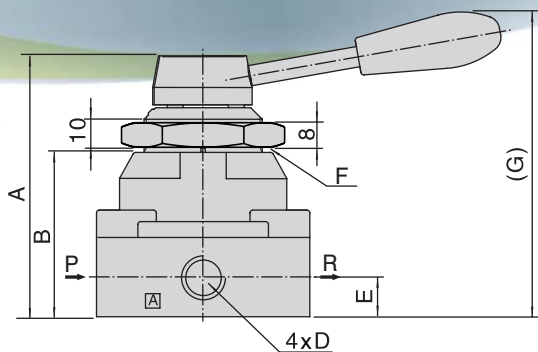


## Flow Charts



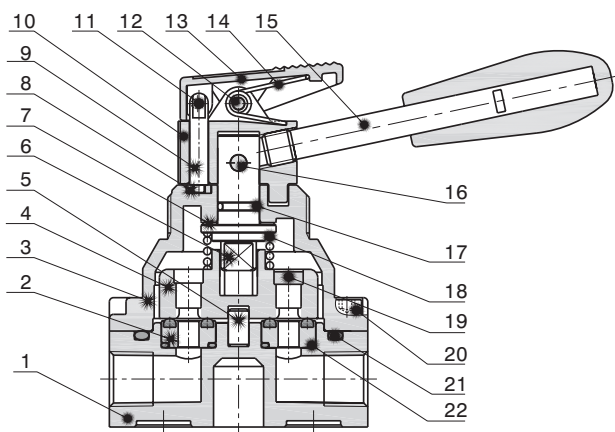
# MANUAL 4/2 & 4/3 WAY VALVES LEVER/LEVER LEVER/LEVER/LEVER

## Dimensions



Model / Item	A	B	C	D	E	F	G	H	I	J	K	L	M	N	P
DKHV2 -06	73	45	1.5	1/8"	11.5	M34 x 1.5	92.5	5.5	62	49	40	3	49	62	120
DKHV3 -08	88.5	56	1.5	1/4"	13.5	M40 x 1.5	104	6.5	74	62	51	3	62	74	140
DKHV4 -15	110	72	2	1/2"	18	M52 x 1.5	128	6.5	102	89	64	3	81	94	160
DKHV4 -20	110	72	2	3/4"	18	M52 x 1.5	128	6.5	102	89	64	3	81	94	160

## Inner Structure



No.	Item	No.	Item
1	Body	12	Pin 1
2	Seal Base	13	Front Cover
3	Valve Cover	14	Spring
4	Valve Plug	15	Handle
5	Column Pin	16	Pin 2
6	Shaft	17	Shaft O-ring
7	Washer	18	Spring
8	Fixing Plate	19	Iron Plate
9	Lock Pin	20	Fixing Screw
10	Valve Cap	21	Body O-ring
11	Spring Pin	22	Seal Base O-ring