



Product description

Way valve

SA-K

APPLICATION

As a hydraulic change-over valve for dual-line and single-line central lubrication systems.

The design of the 4/2-way valve ensures a permanent exchange of the lubricant in all channels of the appliance. This is to avoid operating troubles resulting from an ageing and hardening of the lubricant, which are due to oil separations from the grease and to the resulting soap concentration.

PRODUCT CHARACTERISTICS

- Function 4/2-way
- Hydraulically controlled
- Working pressure adjustable up to 250 bar or up to 350 bar
- Motion indicator



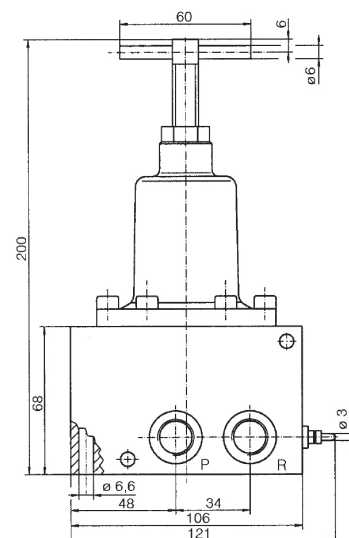
FUNCTION

Every time there is a pressure rise at the connection P, the 4/2-way valve causes an automatic changeover from one to the other of the two main delivery lines which are connected to the two connections 1 and 2, i.e. the two main delivery lines are pressurized alternately. When one main delivery line is pressurized, the other is connected to the R connection.

The change-over pressure is adjustable up to maximum of 250 and/or 350 bars by means of a pressure relief valve. It is necessary to ensure that the change-over pressure does not exceed the max. delivery pressure of the lubrication pump being used. The respective positions which the 4/2-way valve is set can be monitored by using of one limit switch or two electrical switches and enables the pump to be switched off on completion of the lubrication operation.

On single-line systems the connection 2 has to be closed by means of a plug screw. The valve then operates as a 3/2-way valve.

During the pressurizing phases there is a free passage from connection P to connection 1; during the intervals, from connection 1 to connection R.

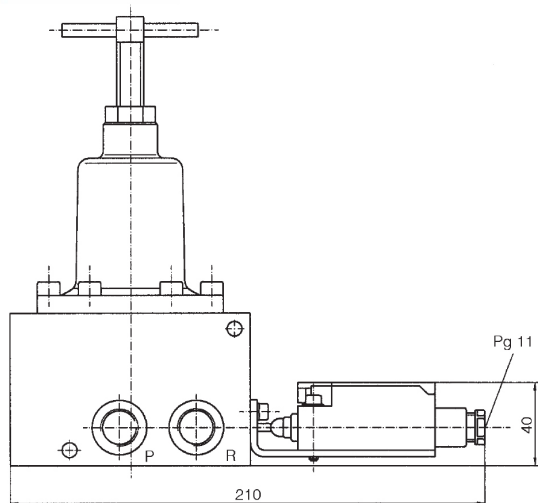


Version with motion indicator

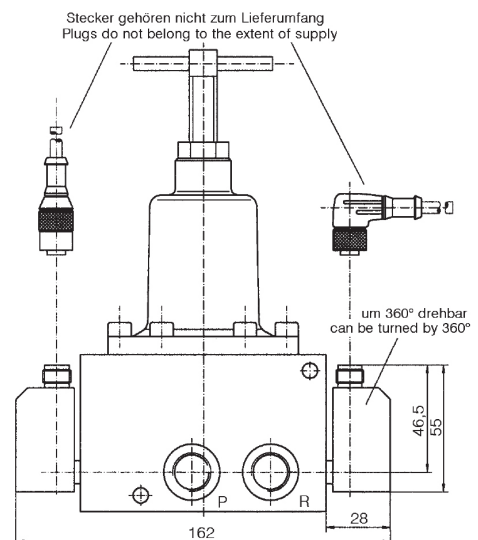




A. VALVE TYPE	Code
	SAK
B. WORKING PRESSURE	Code
250 bar 350 bar	25 35
C. REVISION	Code
Status A	A
D. MONITORING	Code
without Limit switch 2 monitoring switches	00 01 02



Version with limit switch



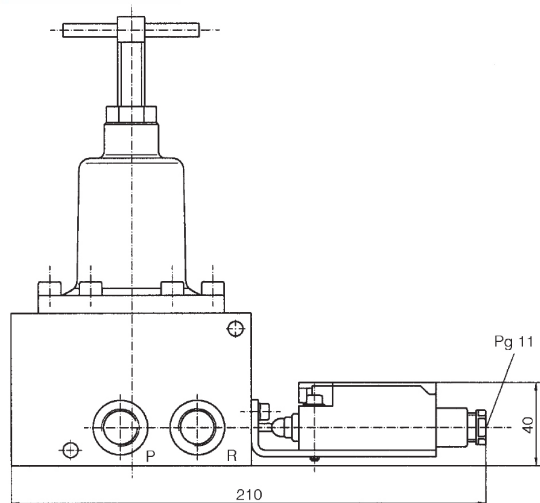
with 2 monitoring switches

E. ACCESSORIES	Code
without	00

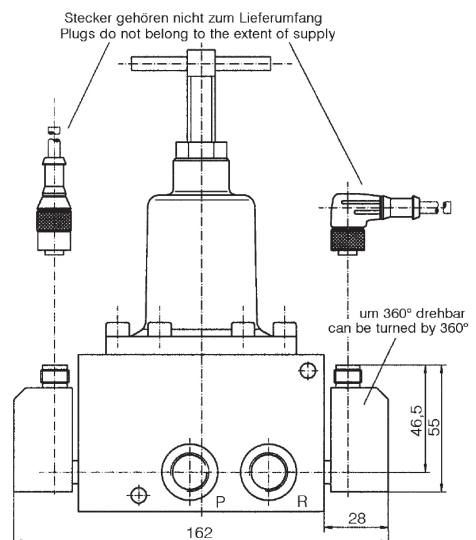




A. VALVE TYPE	Code
	SAK
B. WORKING PRESSURE	Code
250 bar	25
350 bar	35
C. REVISION	Code
Status A	A
D. MONITORING	Code
without	00
Limit switch	01
2 monitoring switches	02



Version with limit switch



with 2 monitoring switches

E. ACCESSORIES	Code
without	00





EXAMPLE OF ORDER

		Code									
		S	A	K	3	5	A	0	1	0	0
Valve type SA-K	Code: SAK										
Working pressure 350 bar	Code: 35										
Revision Status A	Code: A										
Monitoring with limit switch	Code: 01										
Accessories without	Code: 00										

