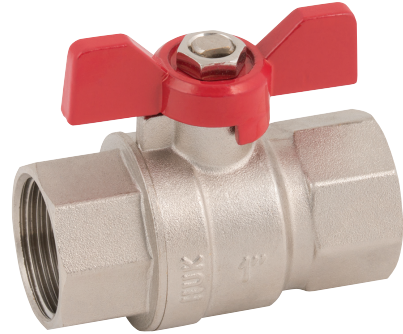


Nickel Plated Full Bore F x F Wing BV12W

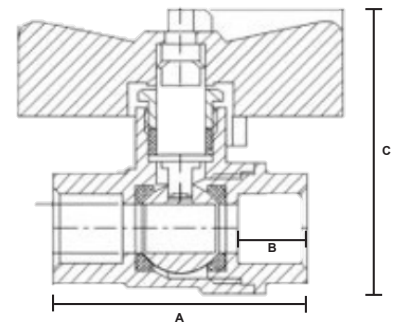
Features

Nickel-plated brass body

- Wing handle operated
- BSPP Female x Female threads
- Lever handle in steel with plastic sleeve
- PTFE seats
- NBR O-rings
- Working Temperature: 0°C to +90°C
- Maximum Working Pressure: 40 bar



Name	Material
Body	Nickel Plated Brass
End Cap	Nickel Plated Brass
Ball	Chrome Plated Ball
Ball Seal	PTFE
Stem	Brass
Stem Packing	PTFE
Gland Nut	Brass
Lever	Plated Steel
Nut	Plated Steel



Part No.	Size	DN	A	B	C	Weight (KG)
BV12-14W	1/4"	8	49	11.5	41.5	0.15
BV12-38W	3/8"	10	49	11.5	41.5	0.134
BV12-12W	1/2"	15	60	15	47	0.202
BV12-34W	3/4"	20	70	18	50	0.29
BV12-1W	1"	25	81	20	60.5	0.491