

# Full Flow Gas Ball Valves London®

## 067

LONDON®  
BALL VALVE,  
FULL FLOW



SIZE	PRESSURE	CODE	PACKING
1/4" (DN 8)	5bar/72.5psi	BV67-14	12/192
3/8" (DN 10)	5bar/72.5psi	BV67-38	12/132
1/2" (DN 15)	5bar/72.5psi	BV67-12	10/100
3/4" (DN 20)	5bar/72.5psi	BV67-34	8/64
1" (DN 25)	5bar/72.5psi	BV67-1	6/48
1 1/4" (DN 32)	5bar/72.5psi	BV67-114	4/24
1 1/2" (DN 40)	5bar/72.5psi	BV67-112	2/16
2" (DN 50)	5bar/72.5psi	BV67-2	2/14

### TECHNICAL SPECIFICATIONS

#### EN 331 APPROVED.

Male/female threads.

Body in nickel-plated brass.

Lever handle in steel.

Minimum and maximum working temperatures: -20°C to +60°C.

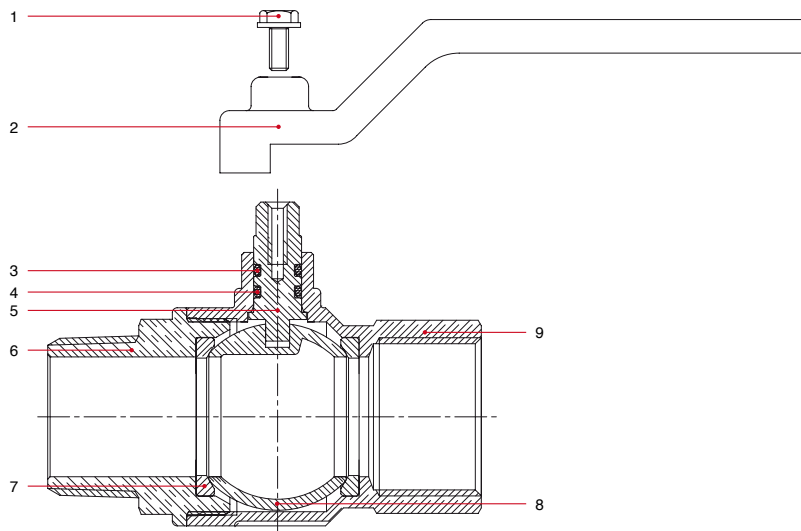
Female thread ISO 7/1 Rp parallel

(equivalent to DIN EN 10226-1 and BS EN 10226-1).

Male thread ISO 7/1 R taper

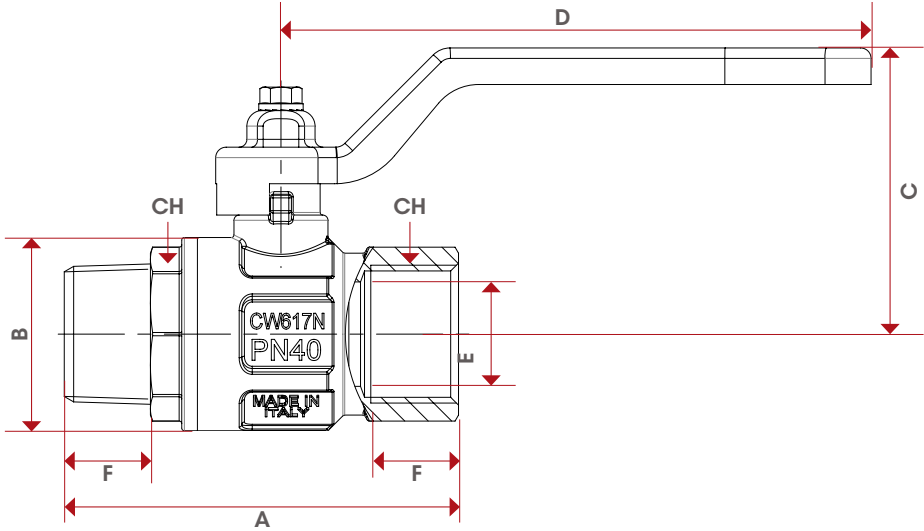
(equivalent to DIN EN 10226-1 and BS EN 10226-1).

### MATERIALS



POS.	DESCRIPTION	N.	MATERIAL
1	Screw	1	Zinc-plated steel Fe CB4
2	Lever handle	1	Zinc-plated and varnished steel Fe.P04
3	O-Ring	1	VITON®
4	O-Ring	1	NBR
5	Stem	1	Brass CW614N
6	End adapter	1	Nickel-plated brass CW617N
7	Seat	2	PT.FE.
8	Ball	1	Chrome-plated brass CW617N
9	Body	1	Nickel-plated brass CW617N

OVERALL DIMENSIONS



	1/4"	3/8"	1/2"	3/4"	1"	1"1/4"	1"1/2"	2"
<b>DN</b>	8	10	15	20	25	32	40	50
<b>A</b>	56,9	58,9	68	75,5	90,5	105	115,5	135,5
<b>B</b>	23,5	24	30,5	37	45,5	58	71	85
<b>C</b>	37,3	37,3	48,8	54,8	56,8	75	90,3	97,3
<b>D</b>	80	80	88,5	113	113	138	157,8	157,8
<b>E</b>	8	10	15	20	25	32	39	50
<b>F</b>	11	11,4	15	16,3	19,1	21,4	21,4	25,7
<b>CH</b>	18	21	25	31	38	47	54	66
<b>Kg/cm<sup>2</sup> bar</b>	5	5	5	5	5	5	5	5
<b>LBS - psi</b>	72,5	72,5	72,5	72,5	72,5	72,5	72,5	72,5

CERTIFICATIONS

