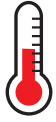
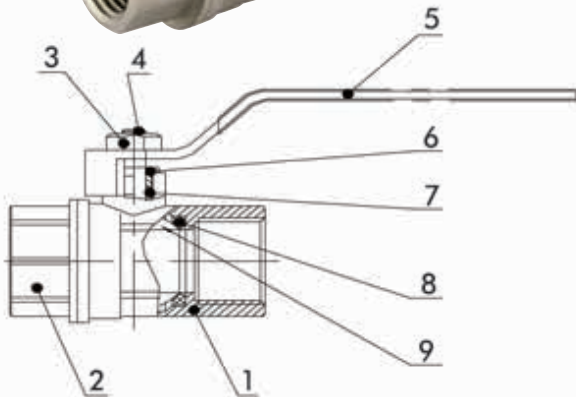
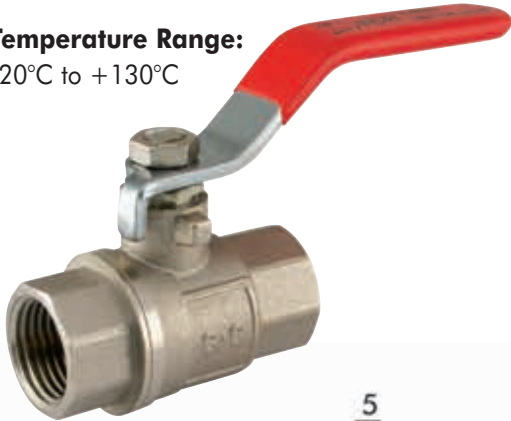


Pro-Fit - Parallel Ball Valves

Full Bore Valve, Nickel Plated, BS EN331,
Screwed BSP FxF, Lever Handle,
PN25 (1/4" - 4")



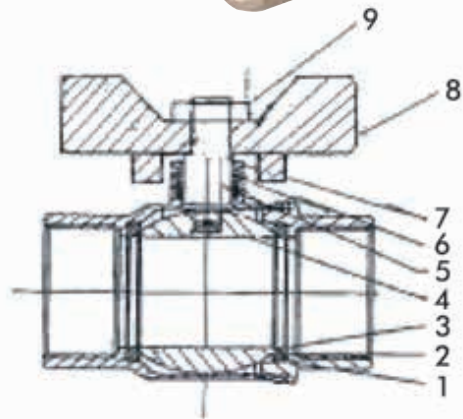
Temperature Range:
-20°C to +130°C



Full Bore Valve, Nickel Plated, BS EN331,
Screwed BSP FxF, Butterfly Handle,
PN25 (1/4" - 1")



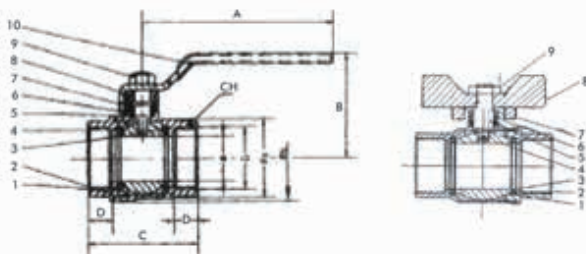
Temperature Range:
-20°C to +130°C



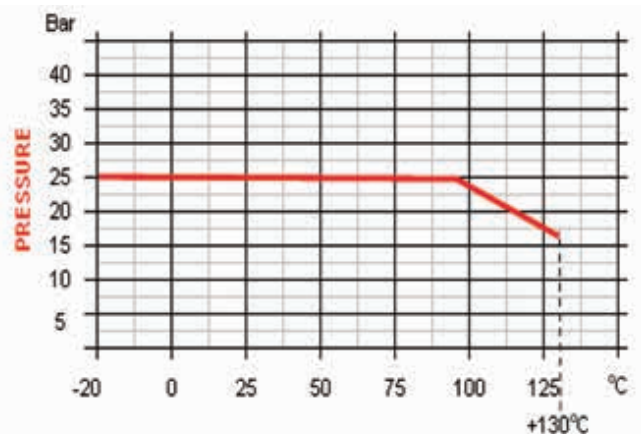
No.	Part Name	Materials	Treatment
1	Body	Brass	Nickel plated
2	Body End	Brass	Nickel plated
3	Nut	Steel	Zinc plated
4	Stem	Brass	
5	Handle	Steel	PVC-Plastic coated
6	Packing Nut	Brass	
7	Stem Seat	PTFE	
8	Seat	PTFE	
9	Ball	Brass	Chrome plated

No.	Part Name	Materials	Treatment
1	Body	Brass	Nickel plated
2	Body End	Brass	Nickel plated
3	Seat	PTFE	
4	Ball	Brass	Chrome plated
5	Stem	Brass	
6	Stem Seat	PTFE	
7	Packing Nut	Brass	
8	Handle		
9	Nut	Steel	Zinc plated

∅a	∅b	A	B	C	D	CH	G	WT
22.7	24	83	38	45.6	12.2	21	1/4	
22.7	24	83	38	45.6	12.2	21	3/8	
29	31.5	95.5	44	56.2	16	24.92	1/2	
33.5	36.5	115.5	46.5	68	16	31.7	3/4	
41.5	43.7	115.75	53.5	78	20.5	37.5	1	
52.6	56.5	131	67	90	20.5	46.35	1.1/4	
64.1	67.5	163	72	102	20.5	52.5	1.1/2	
78.5	82	163	77	123	22.8	65.05	2	
99.7	103.5	247	115	146	28.8	81.7	2.1/2	
115.5	119.5	247	121	170	28.8	95.53	3	
142	147	247	135	200	36.6	120.75	4	



PRESSURE AND TEMPERATURE



Temperature range -20 °C - +130 °C

Remarks: Same dimension for body and the temperature range. Only difference on handle.

Approved Ball Valves

A range of ball valves designed to meet the requirements of both:

- EN 331:1998+A1:2010 Manually operated ball valves and closed bottom taper plug valves for gas installations in buildings
- United Kingdom Water Supply (Water Fittings) Regulations 1999, The Water Byelaws 2004 Scotland and The Water Regulations (Northern Ireland) 1991

The valves have been tested by BSI to EN 331:1998 and have been awarded Certificate of Constancy of Performance no 0086-CPR-599951 in compliance with the Construction Products Regulations.

The valves have been certified by the Water Regulations Advisory Scheme (WRAS®), certificate no. 1003046.

Working condition parameters

	Maximum working pressure	Temperature range
Gas	5 bar	-5°C to 60°C
Water/Oil	20 bar	-5°C to 150°C

End fittings

The valves are either supplied with internal threads at both ends made to EN 10226 (BSP Parallel) designed to assemble to taper external threads, or else compression end fittings made to EN 1254-2.

Valve Range

Connection	EN 331 Approved?	WRAS Approved?
1/4"	✓	✓
3/8"	✓	✓
1/2"	✓	✓
3/4"	✓	✓
1"	✓	✓
1.1/4"	✓	✓
1.1/2"	✓	✓
2"	✓	✓
3"		
15mm Compression	✓	✓
22mm Compression	✓	✓
28mm Compression	✓	✓
35mm Compression	✓	✓
42mm Compression	✓	✓
54mm Compression	✓	✓