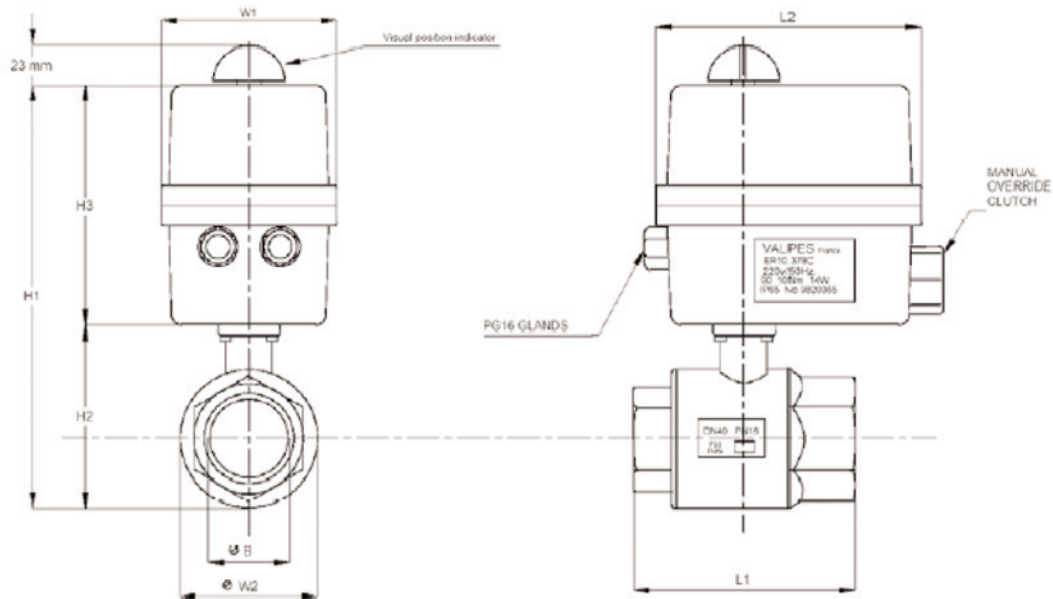


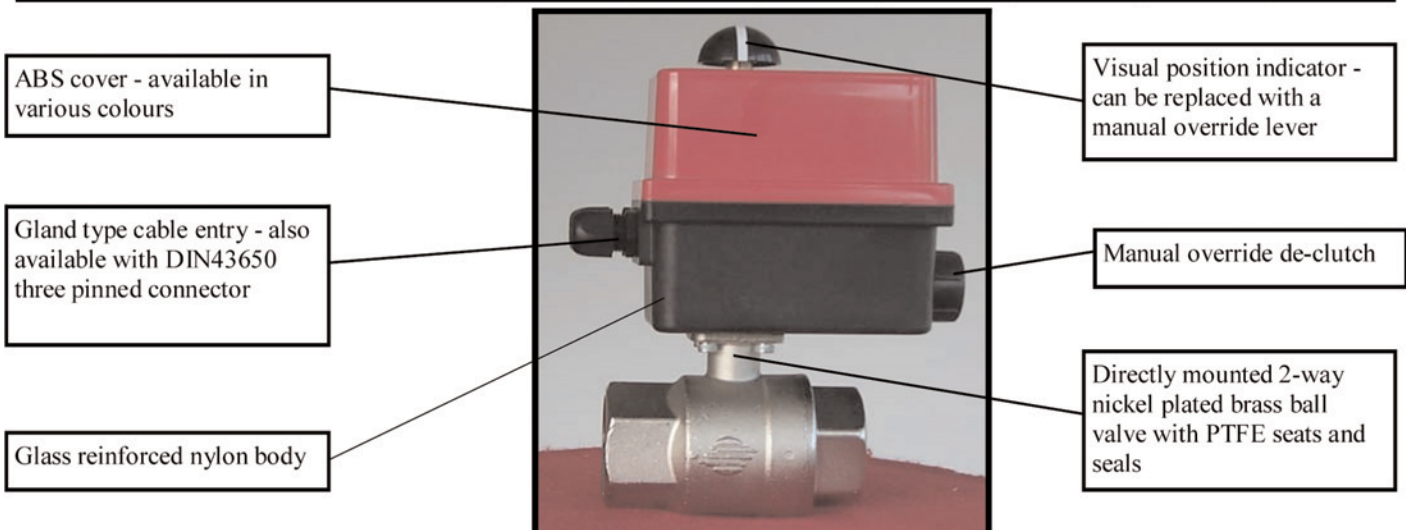
# E100

## ELECTRIC ACTUATOR & TWO WAY NICKEL PLATED BRASS BALL VALVE



### Dimensions

Part Reference	E100H003	E100H004	E100H005	E100H006	E100H007	E100H008	E100H009
<b>Actuator Type</b>	ER10	ER10	ER10	ER10	ER10	ER20	ER35
<b>Size</b>	3/8"	1/2"	3/4"	1"	1 1/4"	1 1/2"	2"
<b>ØB</b>	10	15	20	25	32	40	50
<b>L1</b>	69	69	77	89	103	114	134
<b>L2</b>	136	136	136	136	136	136	136
<b>H1</b>	169.4	169.4	180.3	188.2	205.5	217.3	232.6
<b>H2</b>	45.4	45.4	56.3	64.2	81.5	93.3	108.6
<b>H3</b>	124	124	124	124	124	124	124
<b>W1</b>	92	92	92	92	92	92	92
<b>ØW2</b>	31.8	31.8	40.0	48.0	62.0	72.6	88.5
<b>Operating Time 230-110V 50Hz</b>	25 secs	25 secs	25 secs	25 secs	25 secs	20 secs	35 secs
<b>Operating Time 24V AC/DC</b>	10 secs	10 secs	10 secs	10 secs	10 secs	4 secs	8 secs
<b>Operating Time 12V AC/DC</b>	25 secs	25 secs	25 secs	25 secs	25 secs	8 secs	16 secs



# E100

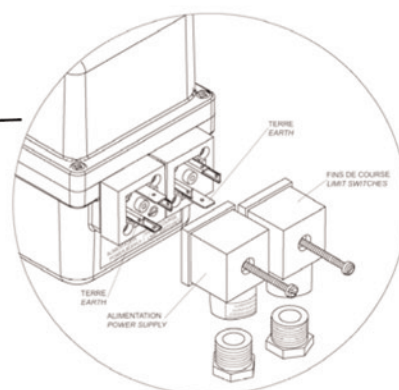
## ELECTRIC ACTUATOR & TWO WAY NICKEL PLATED BRASS BALL VALVE

### Actuator Features

- 90° reversible electric actuator, ABS & Nylon casing
- Working temperature -10°C to +55°C
- Available in 230/110V AC (50% duty) or 24/12V AC/DC (30% duty)
- Enclosure rating: IP65
- Standard equipment: CE marked
- 2 adjustable limit switches with SPDT volt free contacts rated 5A
- Visual position indicator/manual override handle
- Torque limiter

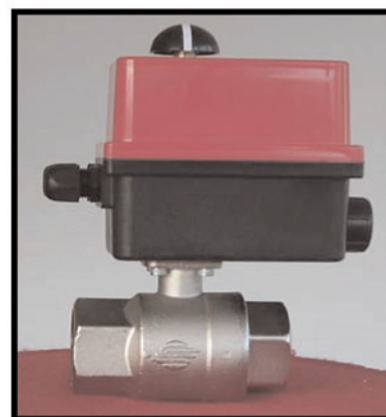
### Options

- Electrical connectors to DIN 43650
- 10W anti condensation heater
- 4-20mA/0-10v positioning system
- Failsafe module
- Potentiometer for position feedback
- 3-position system
- ATEX Explosion proof actuator



### Valve Features

- The valve is suitable for low pressures on condition that non-aggressive fluids are used.
- Working temperature: from -20°C to +150°C for fluids. Working pressure: up to 16 Bar.
- Suitable for use with water, oil, gas and light applications.
- Threaded ends are per UNI/ISO 7/1 Rp specifications.



VALVE MATERIALS			
1	Shaft	Brass-nickel plated	UNI 5706-65
2	O-Ring	Viton	
3	Top sealing	PTFE	
4	O-Ring	Viton	
5	Seals	PTFE	
6	Ball	Brass-chromium plated	UNI 5706-65
7	Body	Brass-nickel plated	UNI 5706-65
8	Threaded end	Brass-nickel plated	UNI 5706-65

