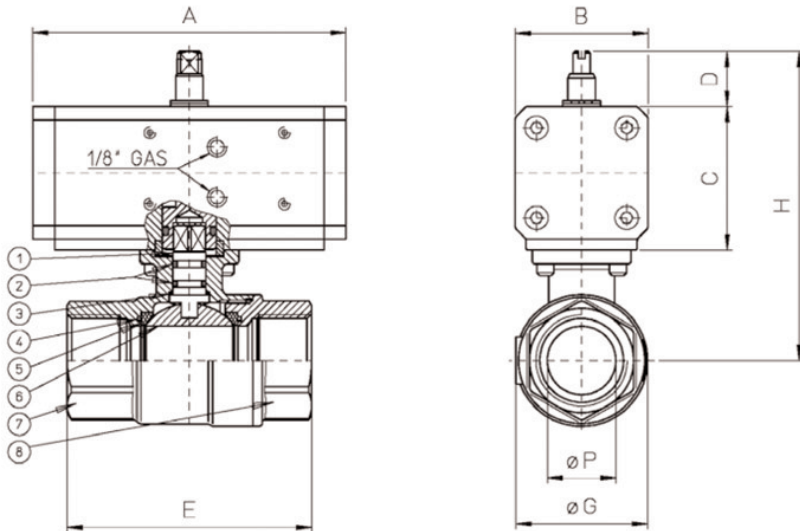


D100



Double Acting Pneumatic Actuator and Two Way Nickel Plated Brass Ball Valve

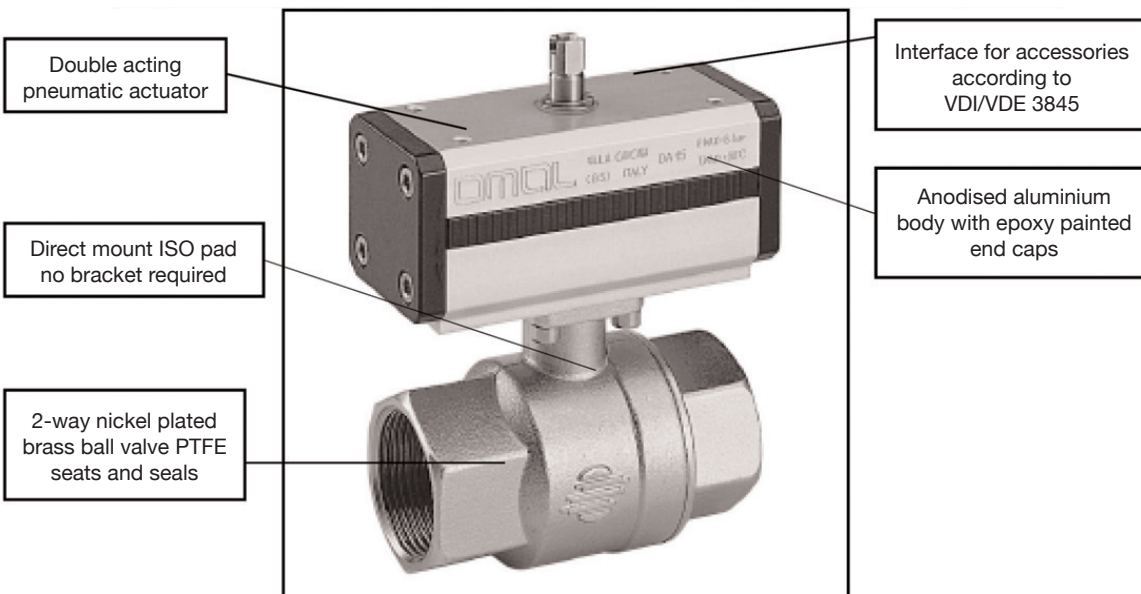


• ISO 5211 Mounting Pad

Working Temperature:
Actuator: -20°C to +80°C (Dry Air)
Valve: -20°C to +150°C

Dimensions

Part Reference		D100H003	D100H004	D100H005	D100H006	D100H007	D100H008	D100H009
Actuator Type		DA008401	DA008401	DA008401	DA008401	DA015401	DA015401	DA030401
Port Size F	BSP	3/8"	1/2"	3/4"	1"	1 1/4"	1 1/2"	2"
Bore ØP	mm	10	15	20	25	32	40	50
A	mm	70	70	70	70	115	115	130
B	mm	43.2	43.2	43.2	43.2	48.0	48.0	55.0
C	mm	42.7	42.7	42.7	42.7	52.0	52.0	60.0
D	mm	15	15	15	15	20	20	20
E	mm	69	69	77	89	103	114	134
ØG	mm	31.8	31.8	40.0	48.0	62.0	72.6	88.5
H	mm	87.2	87.2	94.0	97.9	122.5	129.0	144.3
Kv	m3/h	11	20	60	100	130	170	280
Weight	Kg	0.47	0.55	0.73	0.95	1.77	2.23	3.53



D100



Double Acting Pneumatic Actuator and Two Way Nickel Plated Brass Ball Valve

Actuator Features

- Quarter turn pneumatic actuator
- Scotch yoke design
- Temperature range 0°C to +80°C (-20°C to +80°C with dry air)
- Air supply 5.6 Bar; maximum working pressure 8.4 Bar
- Operating media: compressed filtered air. In case of lubricated air, either non-detergent oil or NBR compatible oil must be used



Valve Features

- The valve is suitable for use with non-aggressive media at low pressures
- Working pressure: see diagram below
- Working temperature: -20°C to +150°C

Options

- Switch box or mechanical switches, (weatherproof, explosion proof, intrinsically safe)
- 5/2 NAMUR solenoid valve (weatherproof, explosion proof, intrinsically safe)
- Positioner (3-15psi, 0-10V or 4-20mA)
- Manual override gearbox

VALVE MATERIALS			
1	Shaft	Brass	EN 12164 CW614N
2	O-Ring	Viton	
3	Top sealing	P.T.F.E	
4	O-Ring	Viton	
5	Seals	P.T.F.E	
6	Ball	Brass chromium plated	EN 12164 CW614N
7	Body	Brass	EN 12165 CW617N
8	Threaded end	Brass	EN 12165 CW617N

Surface treatment: bright nickel plating

