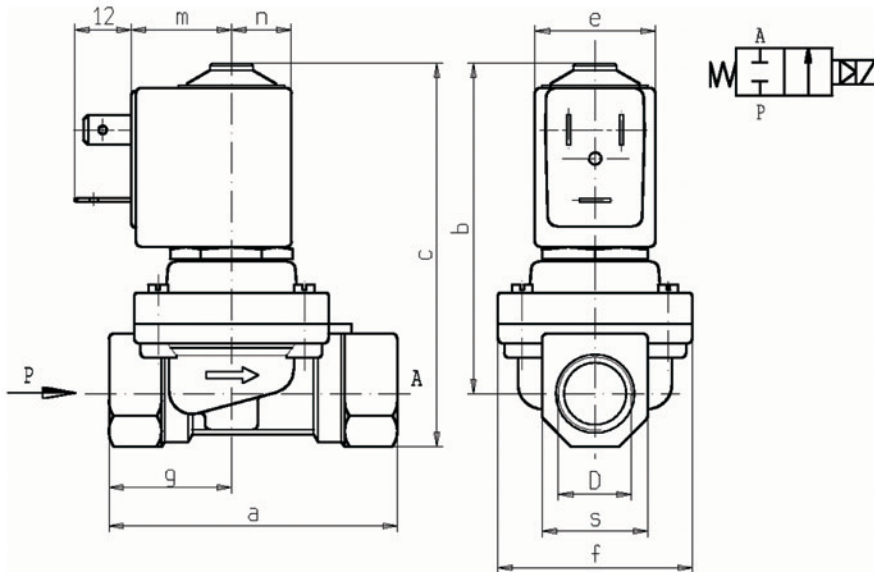




SOLENOID VALVE
2/2 - NC (Normally closed)
 Pilot operated
G3/8 ÷ 1

L145



D	a	b	c	e	f	m	n	s	g
G 3/8	60	69	80	25	40	21	12,5	22	25,5
G 1/2	66	72	85	25	40	21	12,5	27	33
G 3/4	79	78	94,5	32	50	27	16	33	39,5
G 1	105	102	123	32	71	27	16	42	46

► **GENERAL FEATURES**

Diaphragm valve, pilot operated, having full orifice.
 Suitable to shut off liquid and gaseous fluids; particularly suitable to shut off overheated water and steam (verify the compatibility of fluid with materials in contact).
 Not suitable for use with dangerous fluids listed in Group 1, therefore they are free from CE marking in conformity with article 3 § 3 of the European Directive 97/23/EC (Pressure Equipment Directive).

► **TECHNICAL FEATURES**

Maximum allowable pressure (PS) G3/8 and G1/2: 16 bar
 G3/4 and G1: 9 bar

Opening time ~100ms
Closing time from ~500ms to ~1500ms
Fluid temperature +60°C +170°C
Max viscosity 5°E (~37 cStokes or mm²/s)

► **MATERIALS IN CONTACT WITH FLUID**

Body Brass
Sealing Reinforced PTFE (Polytetrafluorethylene)
Internal components Brass and stainless steel
Seat Stainless steel
Guide assembly Stainless steel
Shading ring Copper

► **COIL**

Continuous duty ED 100%
Coil impregnation Polyester resin
Encapsulation material PET (polyethylene terephthalate) fiberglass reinforced
Insulation class Z5: H(165°C) - UL - Z6: H(180°C) - UL
Ambient temperature -10 C° +80 °C
Electric connenctions Z5: DIN 46340 - 3 poles connector (DIN 43650)
 Z6: DIN 46340 - 3 poles connector
Protection degree IP 65 (EN 60529) with plug connector
Voltages AC 24V/50Hz - 110V/50Hz (120V/60Hz)
 230V/50Hz (+10% -15%)
 (Other voltages and frequencies on request).

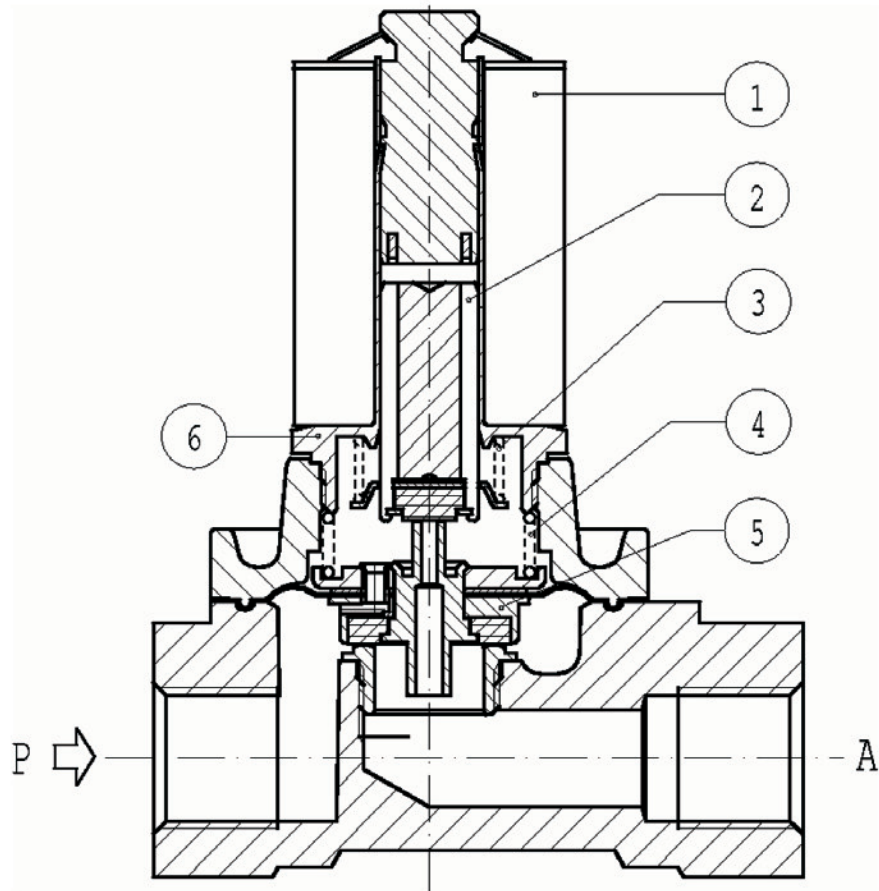
Port size ISO 228	Ø Int. (mm)	Differential pressure (bar)				Kv (m ³ /h)	Series and type		Power absorption			Sealings	Notes	Weight (kg)
		Δp min	Δp max		Valve		Coil	AC (VA)		c.c. (W)				
			Gas	Liquids				Inrush	Holding					
											c.a.			
G 3/8	10	0,4	8	8	2	L145R2	Z614A	16	10	-	reinforced PTFE	1	0,360	
G 1/2					2,5								0,415	
G 3/4			6	6	4,5	L145R4	Z534A	23	14				0,760	
G1					8,5								1,365	

► **NOTES**

- Sealings : PTFE = Polytetrafluorethylene (reinforced)
 1 - On request Z610A or Z530A coil, encapsulated in PET (Polyethylene terephthalate) class "F" (+155°C): maximum fluid temperature +100°C, maximum ambient temperature +60°C.

L145

► SPARE PARTS



Kit description

Kit P.N.

Consisting of:

Core kit	G3/8 – G1/2 G3/4 – G1	G2641702 G2665102	Core pos. 2 Core return spring pos. 3
Diaphragm assembly kit	G3/8 – G1/2 G3/4 G1	G2647501 G2653301 G2665201	Diaphragm assembly pos. 5 Spring on diaphragm pos. 4
Spring on diaphragm kit	G3/8 – G1/2 G3/4 G1	G2635301 G2641501 G2662201	N. 10 springs on diaphragm pos. 4
Core return spring kit	G3/8 – G1/2 G3/4 – G1	G2651301 G2555101	N.10 core return spring pos. 3
Guide pipe assembly	G3/8 – G1/2 G3/4 – G1	2817601 2797701	Guide pipe assembly pos. 6
Coil	G3/8 – G1/2 Z614A G3/4 – G1 Z534A		Coil pos. 1

► MOUNTING

Solenoid valve can be mounted in any position; vertical with coil upwards preferred.