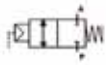


## 2/2 WAY COMPACT PISTON VALVE G 3/8" ÷ 1/2"; BRASS

Piston valve with external pneumatic actuation, compact and of solid construction. Suitable for neutral media with particles in suspension, a situation where a standard servoassisted solenoid valve may get clogged.



normally closed  
flow over / under seat

**TYPE: BLG**

### TECHNICAL SPECIFICATIONS

Media: water and inert fluids, air and inert gases  
 Media temperature: -10°C + +90°C  
 Ambient temperature: -10°C + +80°C  
 Pilot media: filtered air  
 Actuator body material: brass (CW617N EN 12165 : 1999)  
 Body material: brass (CW617N EN 12165 : 1999)  
 Stem material: AISI 316L  
 Seal material: NBR  
 Frequency: 6 cycles per minute

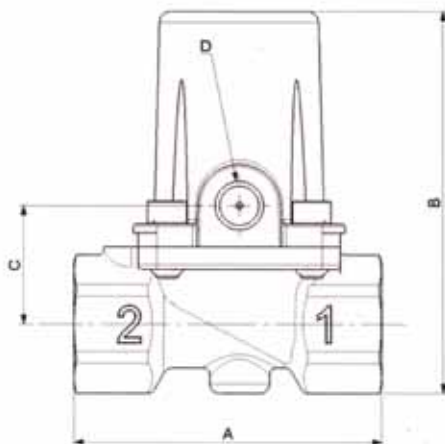
### BENEFITS

Waterhammer-free design (flow direction 2 → 1)  
 To be fitted with banjo bolt pilot solenoid valve (B356CVCMK)



### SELECTION TABLE

VALVE	body connection	DN	flow rate Kvs	working pressure		flow direction	pilot pressure		actuator Ø
				min [bar]	max [bar]		min [bar]	max [bar]	
<b>Code</b>	[ISO 228]	[mm]	[l/min]						[mm]
BLG204DBW00	3/8"	13,5	56 / 45	0	10	1 → 2 / 2 → 1	4,5	10	32
BLG205DBW00	1/2"	13,5	70 / 55	0	10	1 → 2 / 2 → 1	4,5	10	32



### DIMENSIONS & WEIGHT

body connection	A	B	C	D	weight
[ISO 228]	[mm]	[mm]	[mm]	[ISO 228]	[kg]
G 3/8"	67	84	26	G 1/8"	0,55
G 1/2"	67	84	26	G 1/8"	0,52

O C06 1237 U