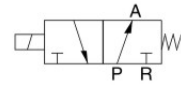


V321



How to Order?

Low power solenoid valve

Series No.	Valve body ID code	ID Code	Positions	Ways	Controls	Port size	Voltage	Connection mode	Thread type
N		M: Standard armature +Low power coil	2: 2 positions	3: 3 ways	1: Single control	M5: M5 06: 1/8"	E2: AC220V E4: DC24V E5: DC12V	Blank: DIN connector F: Flying leads	Blank: G P: PT T: NPT

Blank: standard valve body
P: Europeans valve body (Only for 3/2 way)

Standard solenoid valve

Series No.	Ways	Positions	Controls	Port size	ID Code	Voltage	Connection mode	Thread type
V VP	3: 3 ways	2: 2 positions	1: Single control	V321 M5: M5 06: 1/8" VP321 06: 1/8"	Blank: standard type A: Amisco coil	E1: AC110V E2: AC220V E3: AC380V E4: DC24V E5: DC12V E6: AC36V E7: AC24V E8: DC110V E9: DC48V E10: DC36V	Blank: DIN connector F: Flying leads	Blank: G P: PT T: NPT

Order Example:
N series solenoid valve, standard pilot+Low power coil, 3/2 way, single control, 1/8" port size, standard coil, DC24V, DIN connector, G thread, ERP code is: NM231-06E4

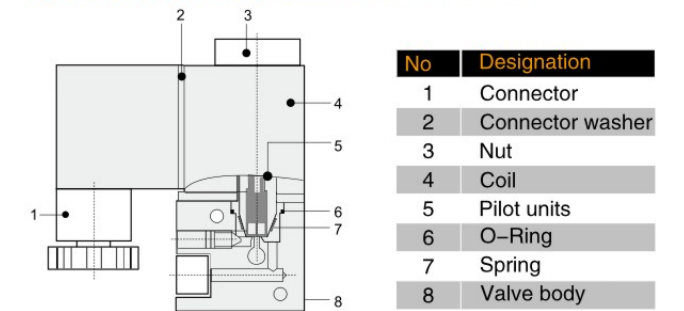
Specifications

Model No.	NM231-M5	NM231-06	NM231-06P	V321-M5	V321-06	VP321-06
Working medium	Clean air (After 25 μm filtration)					
Acting type	Direct acting					
Orifice (mm)	1.2					
Port size	M5	1/8		M5	1/8	
Lubrication	Not required					
Working pressure (Bar)	0 - 8					
Guaranteed pressure (Bar)	12					
Working temperature (°C)	-5 - 60					
Voltage range	-15% - +10%					
Power consumption	AC:1VA DC:0.9W			AC: 5.5VA DC:4.8W		
Insulation class	Class F					
Protective class	IP65 (DIN40050)					
Max. acting frequency	10 cycles/s					
Seal material	NBR					
Activate time	Below 0.05 Sec.					
Weight (g)	141		138	141		138

Product Features

- * Stable life cycle, guaranteed 12,000,000 times.
- * Various voltages and working styles are available.
- * Different surface treatment, thread types (G,PT,NPT) are available.

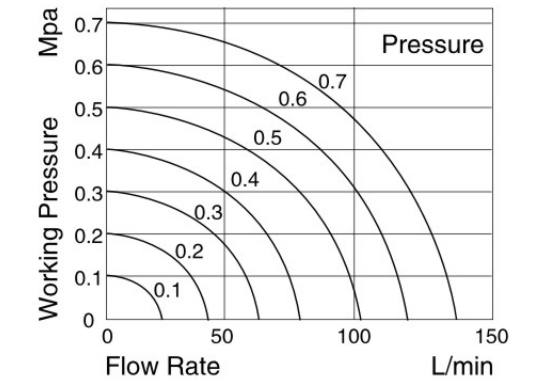
Internal structure



Main Parts Material

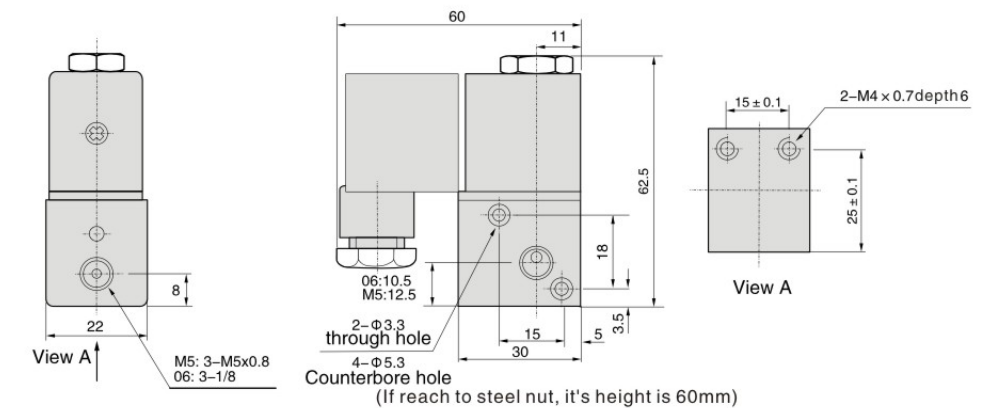
Part name	Material
Valve body	Aluminum alloy
Connector	Engineering plastic
Connector washer	NBR
Pilot units	Pure steel+Cu+Stainless steel
Diaphragm	NBR
Nut	POM+Carbon steel
Coil	Brass Wire covered with heat resistance colophony

Flow Chart



Main Dimension

V321-M5/06
NM231-M5/06



VP321-06
NPM231-06

